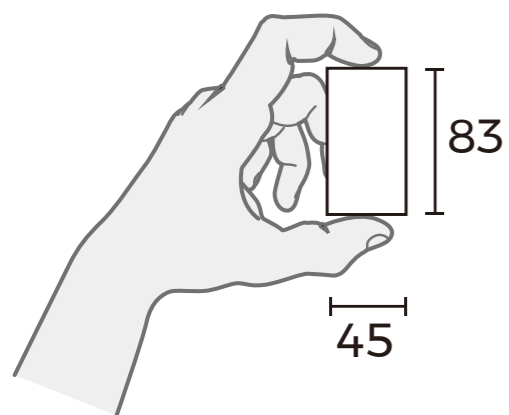


LINE40 & LINE60

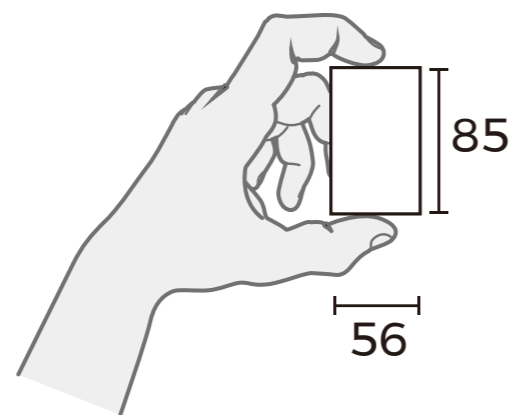
Designed for office lighting
Professional optics, powerful performance

Two size options

LINE40 **NEW**

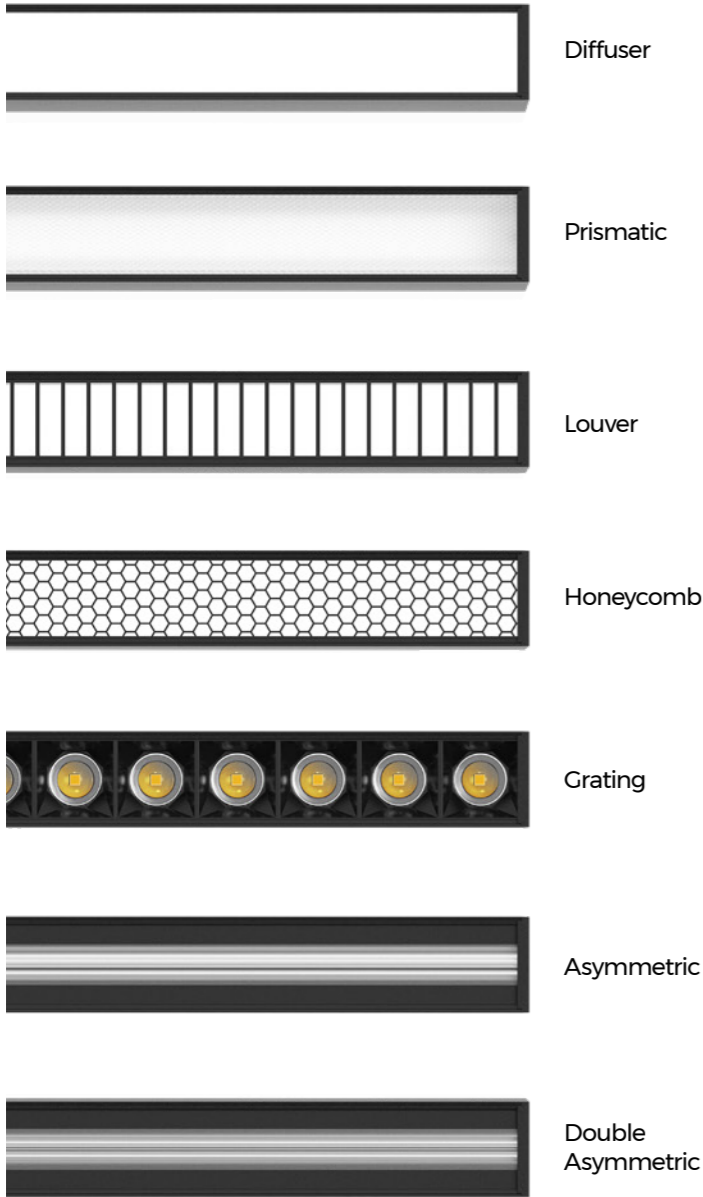


LINE60

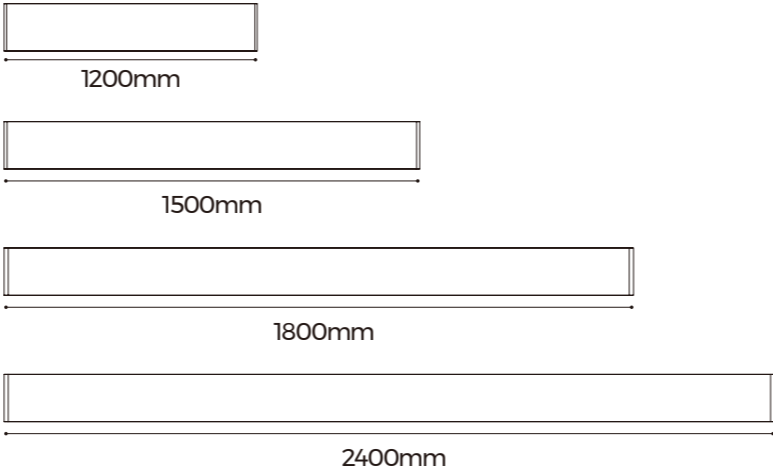


Product Features

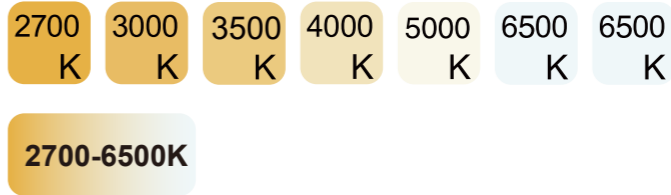
10 Optical diffusers



Four standard lengths



7 CCT optional



Finish color



CRI optional



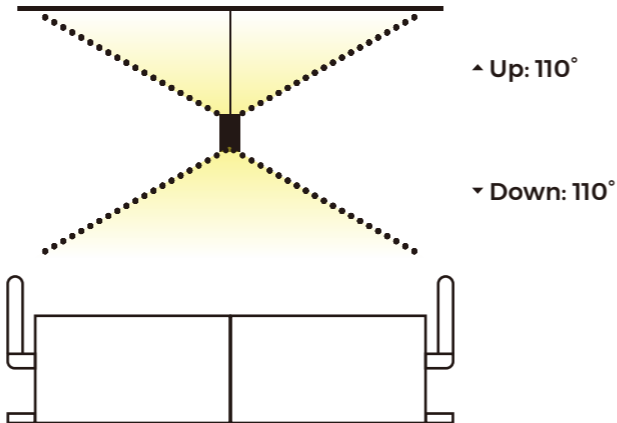
Power supply & dimming optional



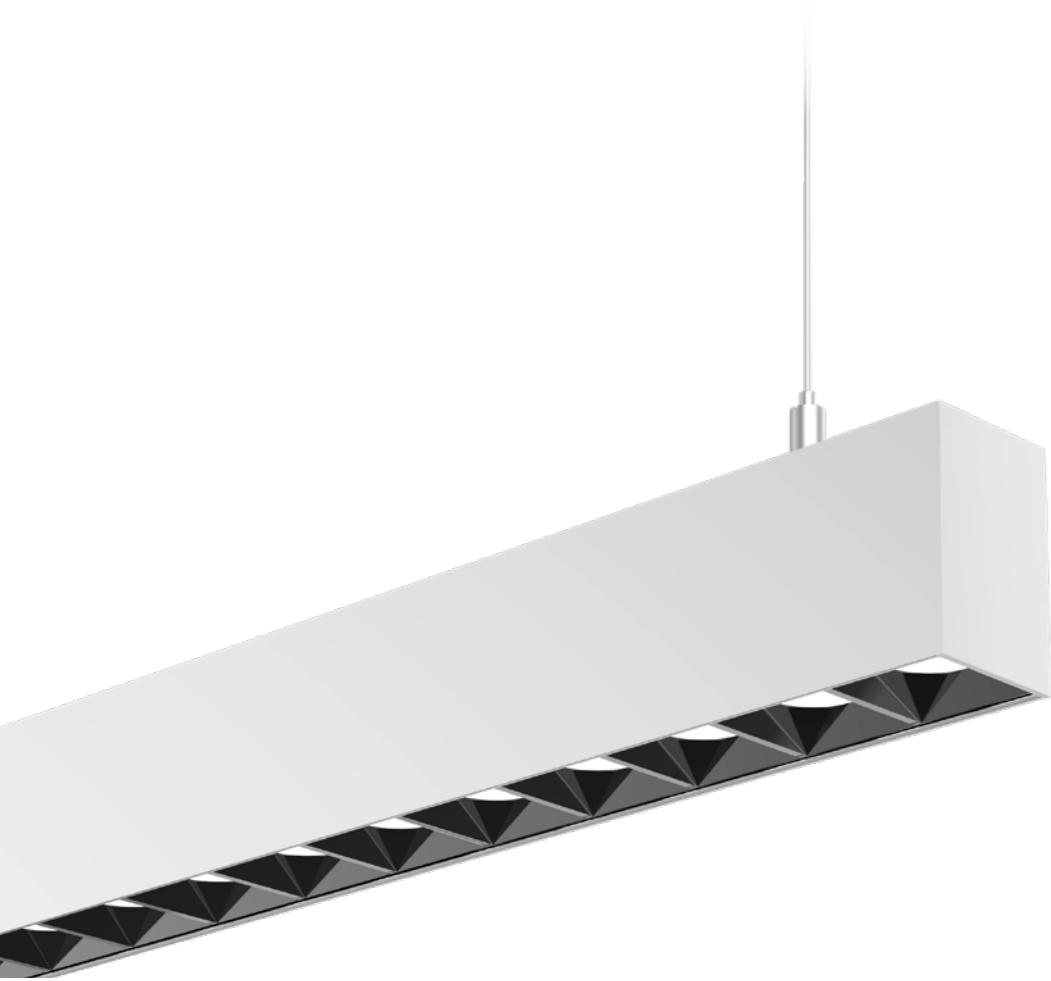
Four versions

- Regular version
- High light efficiency version
- Emergency lighting version
- CCT Switchable version

Up light & Down light



Selling Point



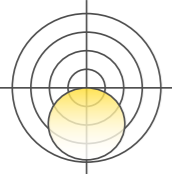
- Professional optics
- Smart control
- Multiple installation modes



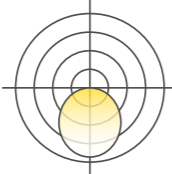
Professional optics

A variety of optical options are available to meet a variety of needs

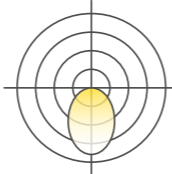
Diffuser
110 & 130LM/W
(100°)



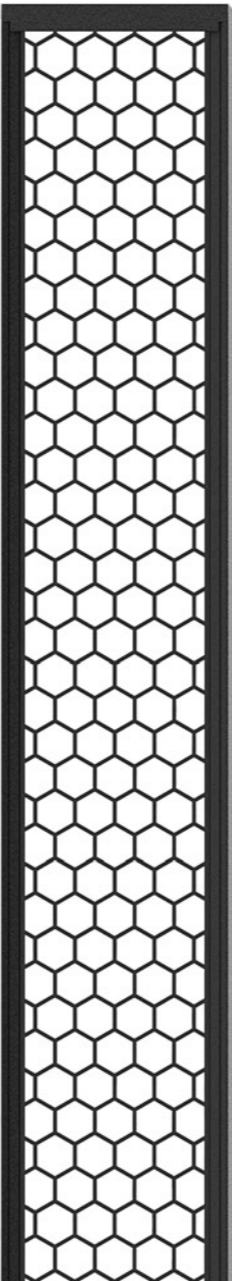
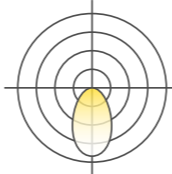
Prismatic
90 & 120LM/W
(65x70°)



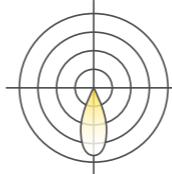
Louver
65LM/W
(65°)



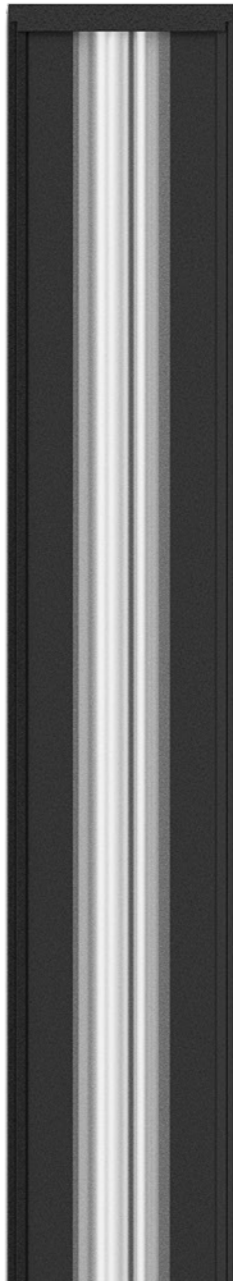
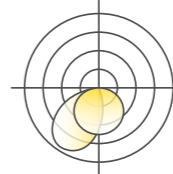
Honeycomb
75LM/W
(60°x75°)



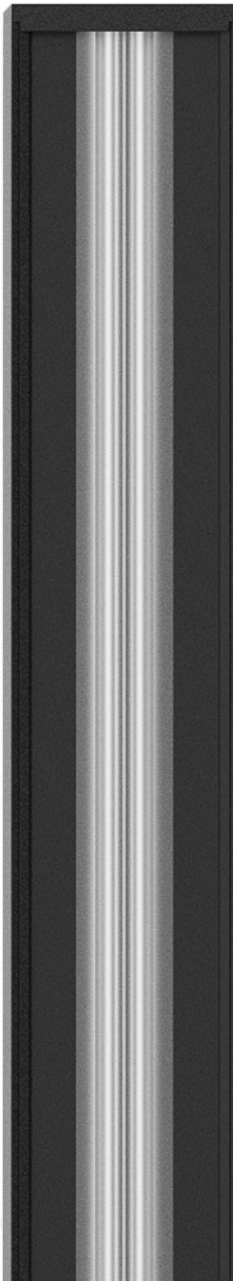
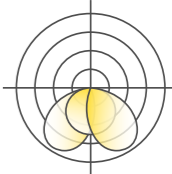
Grating
100LM/W
(18°/30°/45°)



Asymmetric
115LM/W
(100°x45°x15°)



Double Asymmetric
115LM/W
(100°x90°x15°)



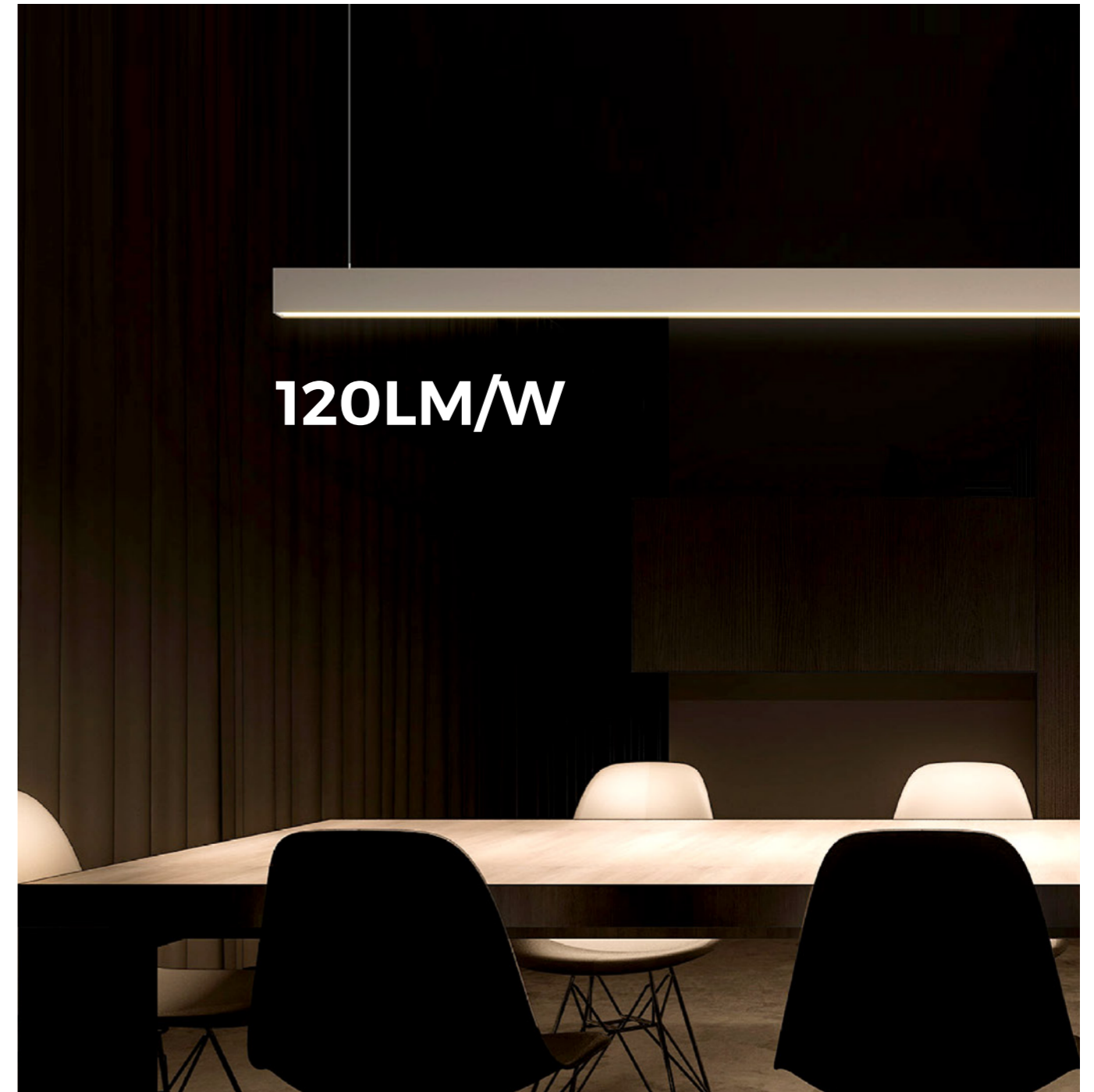
Professional optics

High efficiency and energy saving, high light efficiency, high light output

Diffuser 130LM/W 3700LM/M



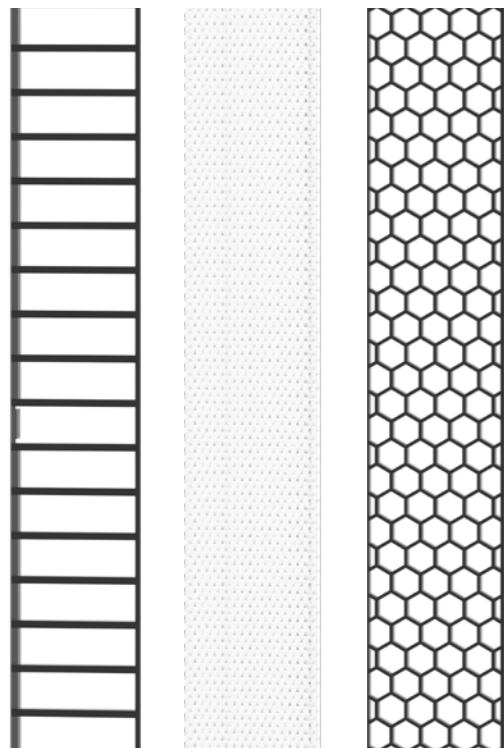
Prismatic 120LM/W 2800LM/M



Professional optics

Low glare

Louver Prismatic Honeycomb



Glare Evaluation

X=4H,Y =8H	S = 0.25 H
Reflection factors	70/50/20
UGR transversal	<19
UGR axial	<19



Professional optics

Precise light control

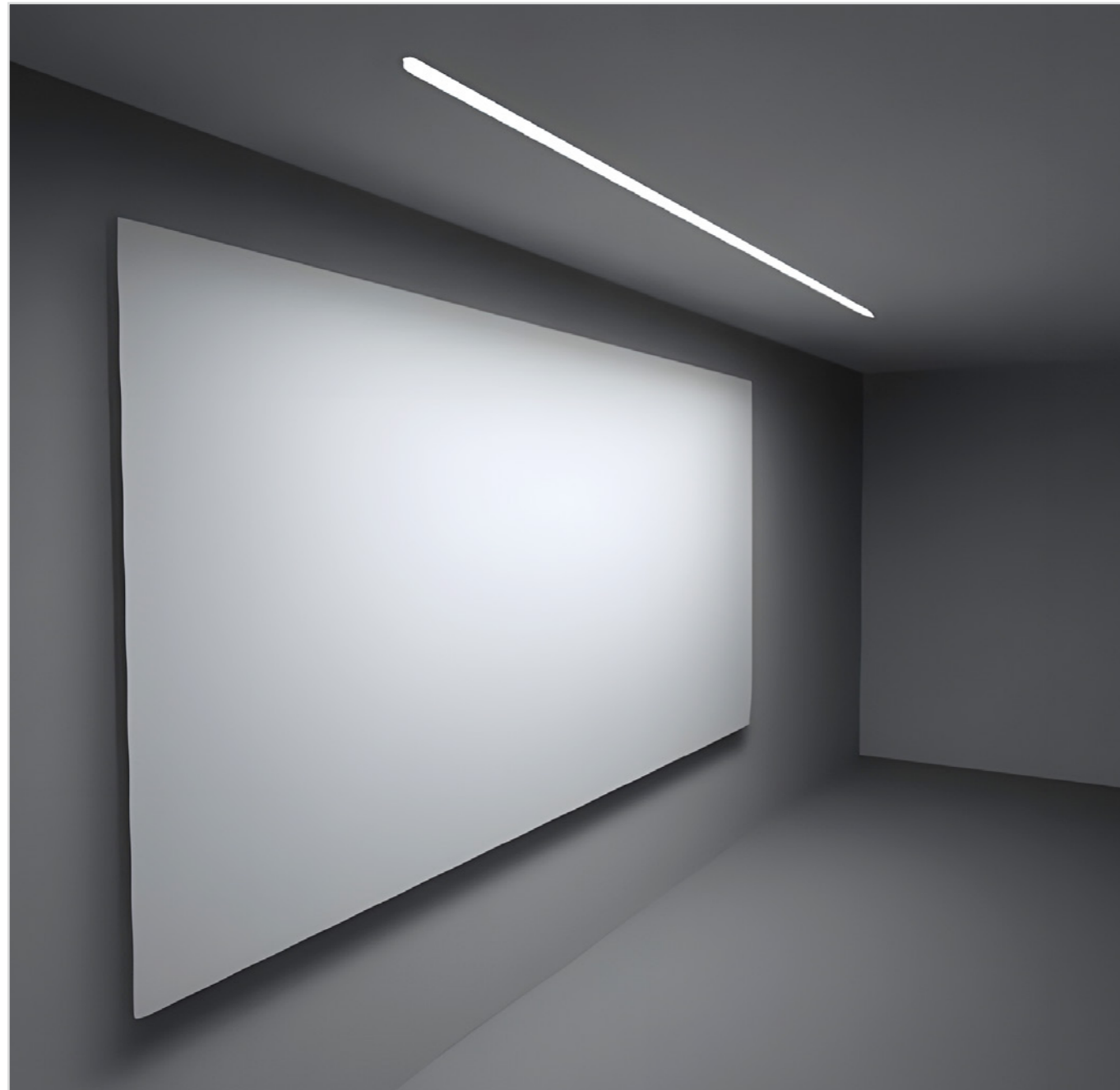


- Precise light control, uniform and soft light output
- UGR<13, 100lm/w (X=4H, Y=8H)



Professional optics

Asymmetric



115LM/W

Installation height: 2.8m

The distance between the lamp and the wall: 0.35m

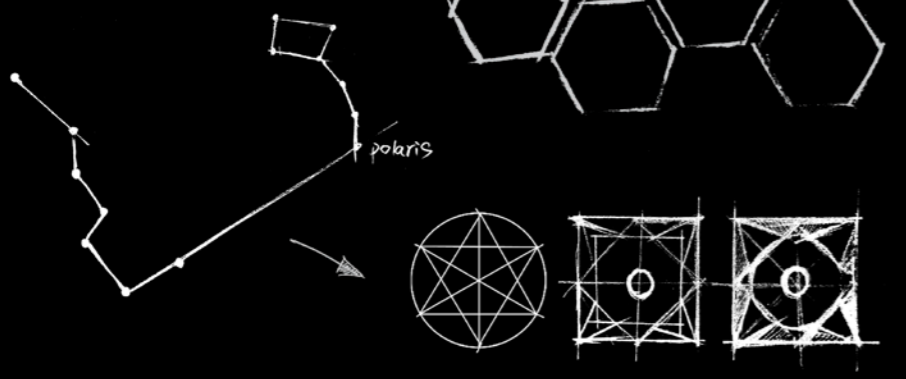
100°x45° (polarization angle 15°)

Wall washing height: 2-3 meters, maximum wall illumination: 800lx



Professional optics

Professional optical design, repeated polishing,
uniform and soft light



Professional optics

Up light & Down light

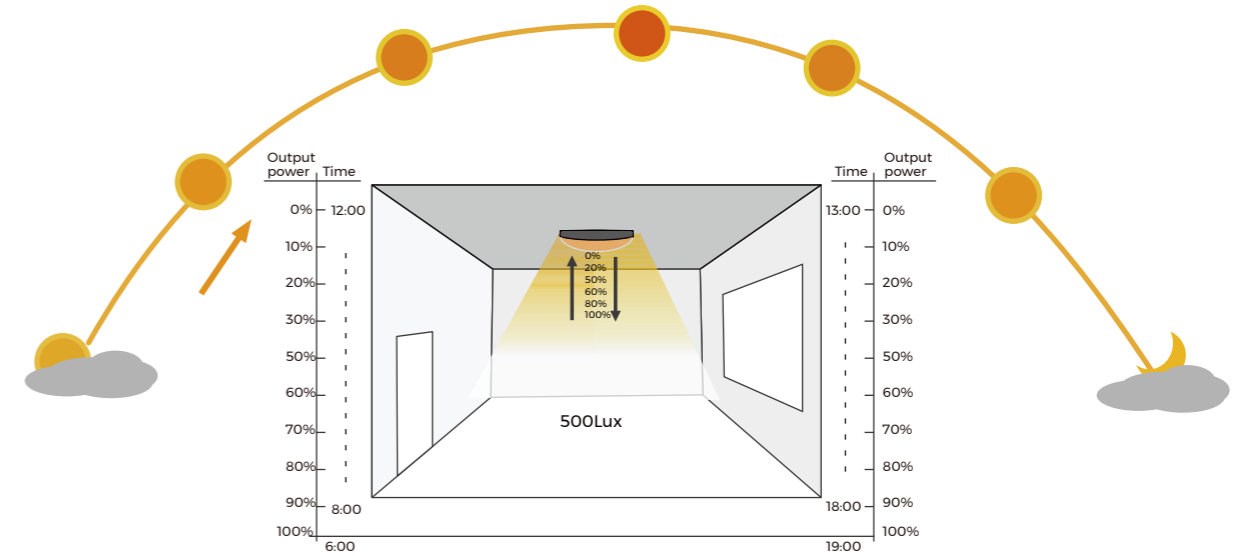


Smart control

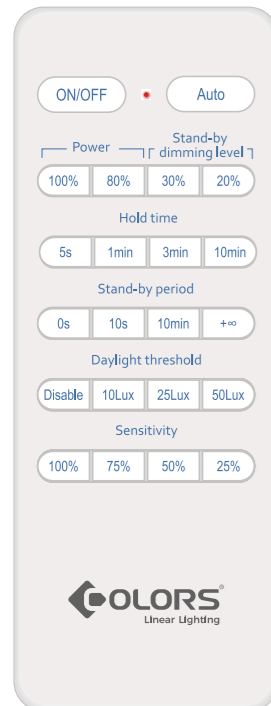
Presence Sensor



Daylight Harvest Function



MSH006R was built in the dual-photosensor technology to distinguish the natural light and the artificial LED light, so the sensor will dynamic dimming your light fixture according to the ambient Sunlight when motion was detected, when the Sunlight is turning up, the light fixture is dimming down; when the Sunlight is turning down, the light fixture is dimming up, this mechanism to balance the natural light and the artificial light, save your energy but keep the necessary lux level.

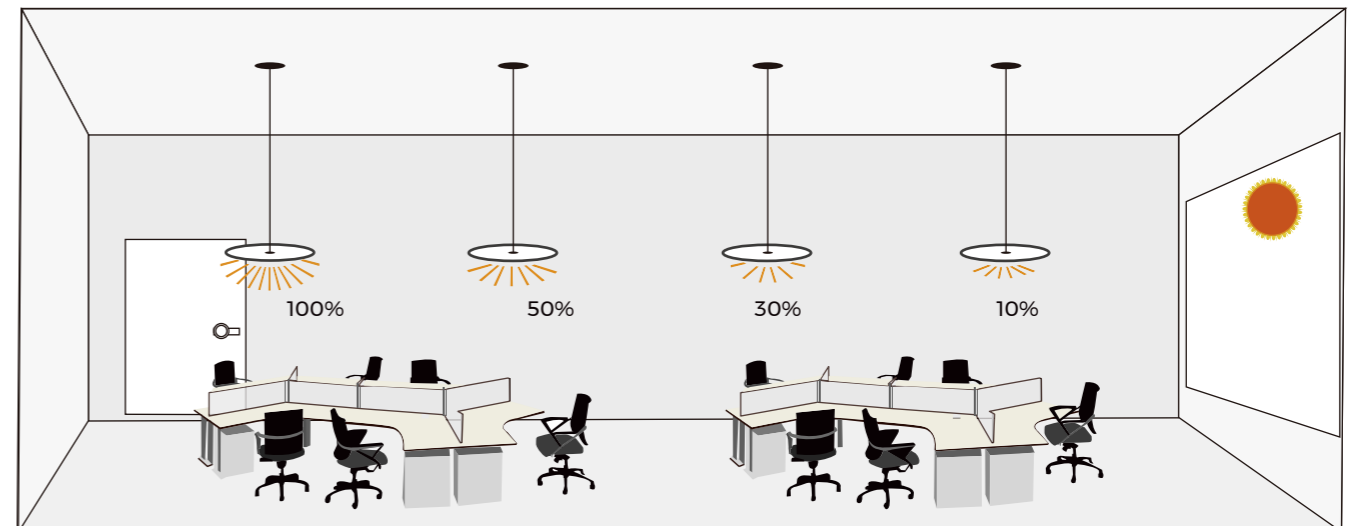


Key	Function	
ON/OFF	Setting the light permanent ON or OFF without motion mode.	
Auto	Turn on the Sensor mode	
Power	100%	Light power output when motion detected.
	80%	
Stand-by dimming level	30%	The dimming level in the standby period.
	20%	
Hold time	The period of light keeping 100% brightness after moving objects leave the detection area.	
Stand-by period	The period of light keeping low output before it's completely switched off. When it's preset as "∞" the light always keep at low output if no movement in the detection area and doesn't turn off.	
Daylight threshold	Definition of the ambient brightness; only when the ambient brightness is lower than the preset specific lux amount, the sensor will work; when it's preset as "disable", the sensor will detect motion regardless the ambient brightness.	
Sensitivity	In this area, movement will be detected and able to trigger the sensor. 100% detection area is also known as the strong sensitivity.	

★ Remote Setting Tips: When press any button, if the light is flickering one time, means the setting is successful.

Typical Application

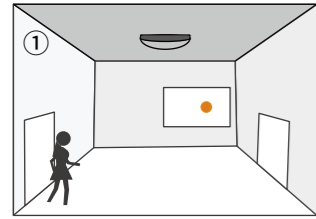
When the sensor detect the nature light, it will dimming the light, the light fixture is dimming output as below:



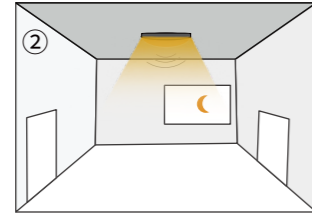
Application

Motion detection + Daylight Harvest+ Lux on/off Function:

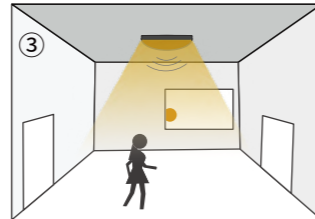
Lux-On function takes effect only when stand-by dimming period set at $+\infty$.



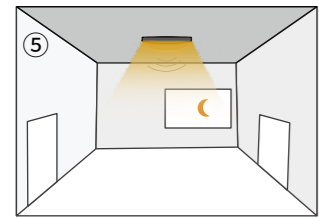
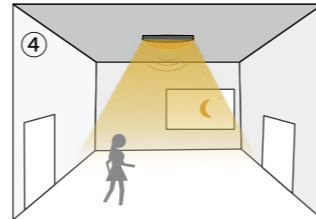
With sufficient daylight, even when motion was detected, light remains OFF.



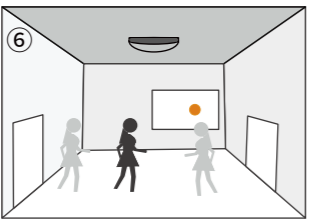
Light automatically on and dim to the stand-by dimming level when ambient brightness is lower than preset lux level.



With insufficient ambient brightness, light is dimming from stand-by level to 100% according to the ambient daylight to keep your setting lux level when motion was detected, save your energy while keeping your preset lux level.



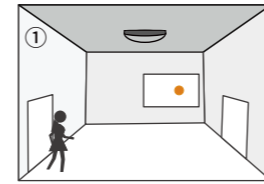
Light dims to standby level if no motion detected after holdtime.



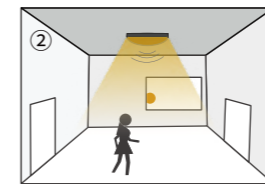
Light off when ambient lux level is higher than preset lux amount even there is still motion.

Auto Lux on/off function + Daylight Harvest Function:

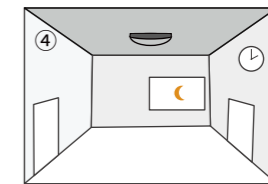
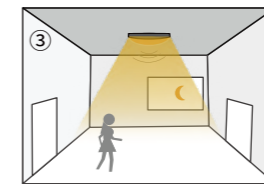
1. The daylight threshold is set to "10Lux/25Lux/50Lux, Stand-by period is set to "0s".



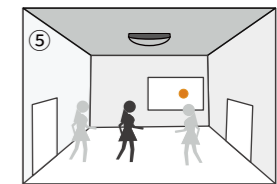
With sufficient daylight, even when motion was detected, light remains OFF.



With insufficient ambient brightness, light is dimming from stand-by level to 100% according to the ambient daylight to keep your setting lux level when motion was detected, save your energy while keeping your preset lux level.

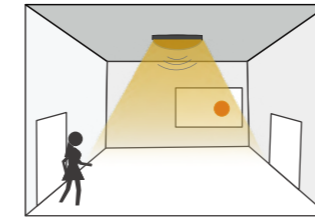


After the last detection and the preset hold time elapsed, light OFF.

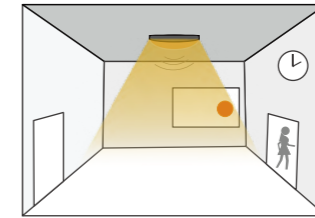


Light off when ambient lux level is higher than preset lux amount even there is still motion.

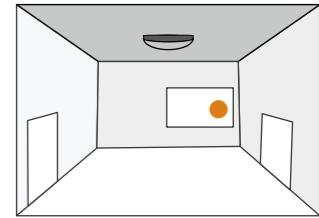
2. The daylight threshold is set to "Disable". Light on when detect movement, After people leave, Light off after stand-by period.



When motion is detected, the sensor will switch on the light to 100% brightness.

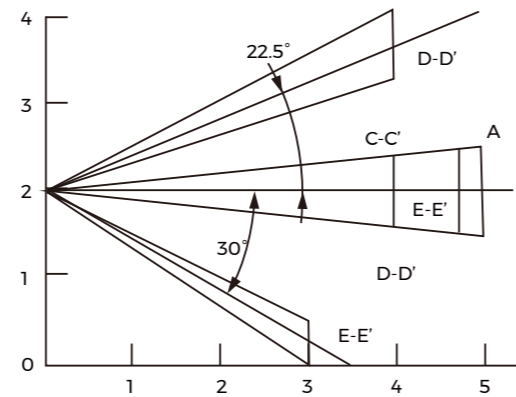
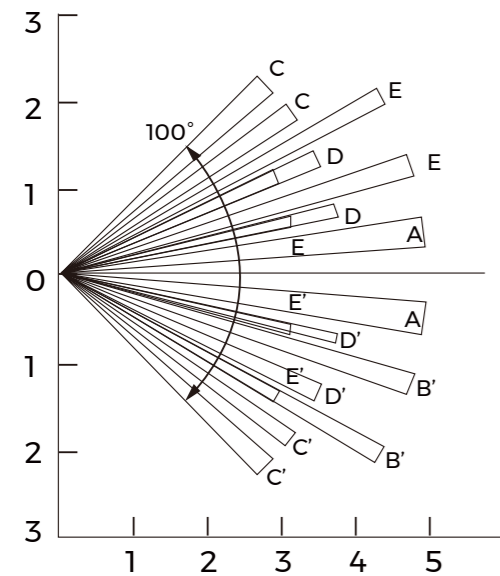


After people leave the detection area, light remains 100% brightness within hold time.



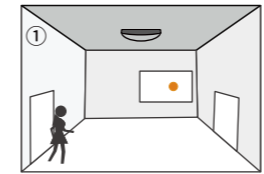
Light trun off afer the holdtime.

Detection coverage

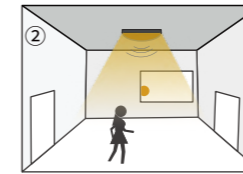


Dimmable control/Corridor function +Daylight Harvest Function:

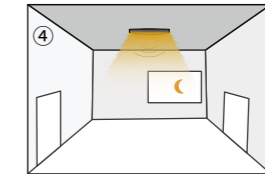
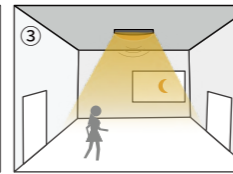
The daylight threshold is set to "10Lux/25Lux/50Lux, stand-by period is set to "10s/10min".



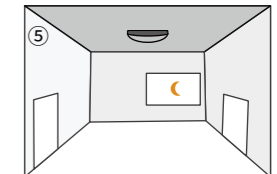
With sufficient daylight, even when motion detected, light remains OFF.



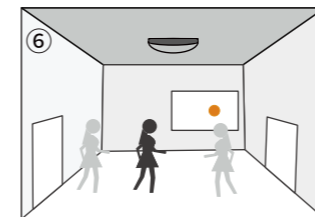
With insufficient ambient brightness, light is dimming from stand-by level to 100% according to the ambient daylight to keep your setting lux level when motion was detected, save your energy while keeping your preset lux level.



Light dims to standby level if no motion detected after holdtime.



After the stand-by period, light OFF.



Light off when ambient lux level is higher than preset lux amount even there is still motion.

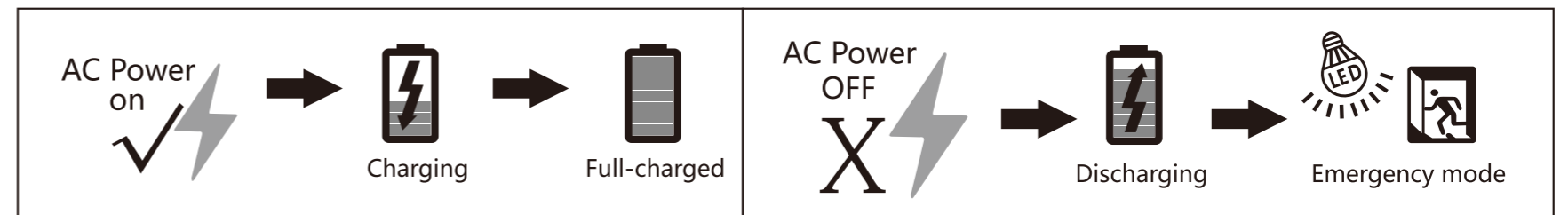
Smart control

Intelligent control, energy saving and environmental protection



Smart control

Emergency lighting



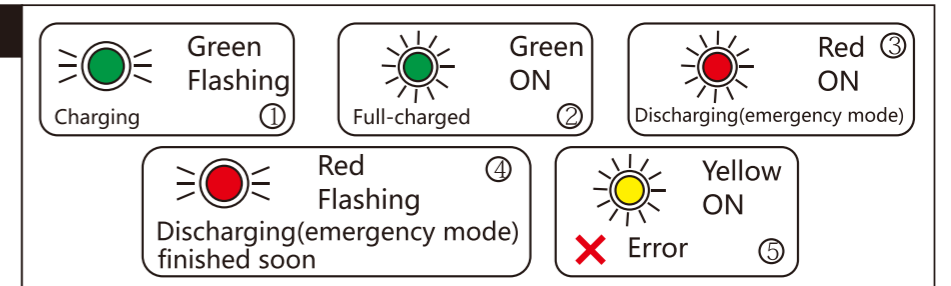
Specifications

Input Voltage	100-277Vac 50/60Hz	Temperature Rating (Ambient)	0°C to+50°C (32°F to 122°F)	Emergency time	3H
AC Input Current	100mA max.	Output Voltage	30-60 Vdc	Output Power	4W
AC Input Power	7.0W max.	Charging Current	≤250mA	Battery	7.4V
Full Warranty	3 Years	Charging Time	≥24Hours	Li-ion battery	2500mAh

- Emergency lighting: 3h
- Emergency light efficiency: ≥120LM/W, 480LM

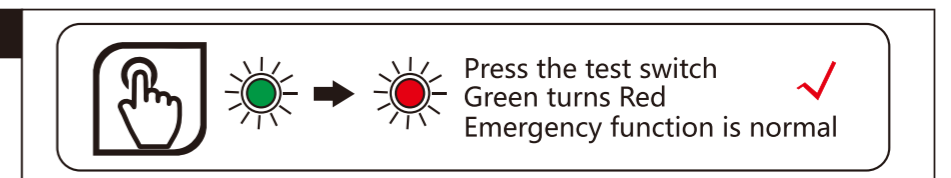
Indicator light introduction

- ① Green/flashing: Charging
- ② Green/on: Full-charged
- ③ Red/on: Discharging(emergency mode)
- ④ Red/flashing: Discharging(emergency mode) finished soon
- ⑤ Yellow/on: Error



Test switch introduction

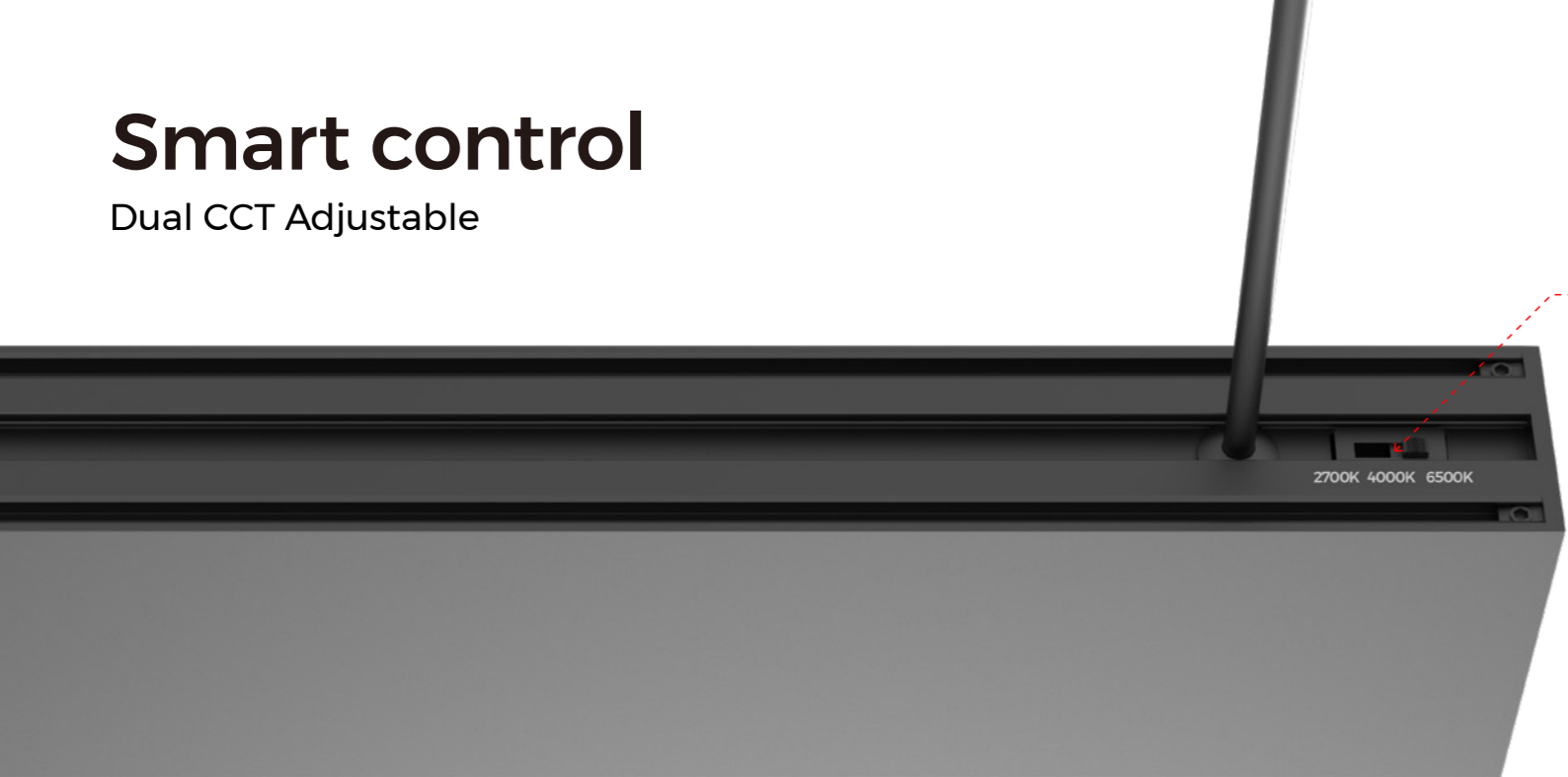
Press the test switch to confirm whether the emergency function is normal





Smart control

Dual CCT Adjustable



Dial switch for CCT change

CCT DIP switch, 3-tier dimming, less stock stress 3000/4300/6500 3-tier adjustable.



NO/OFF



1-10V



DALI-2+PUSH



3000K

Warm light · Warm atmosphere

4000K

Neutral light · Soft and natural

6500K

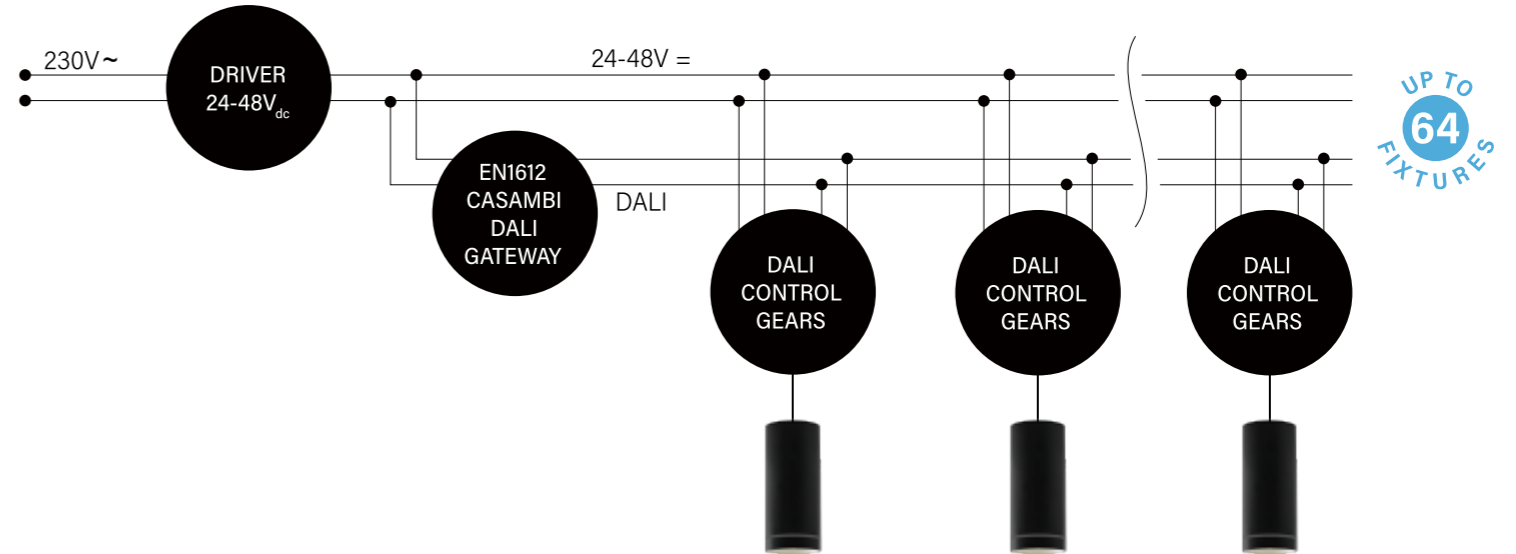
White light · Bright and comfortable

Smart control

CASAMBI Control

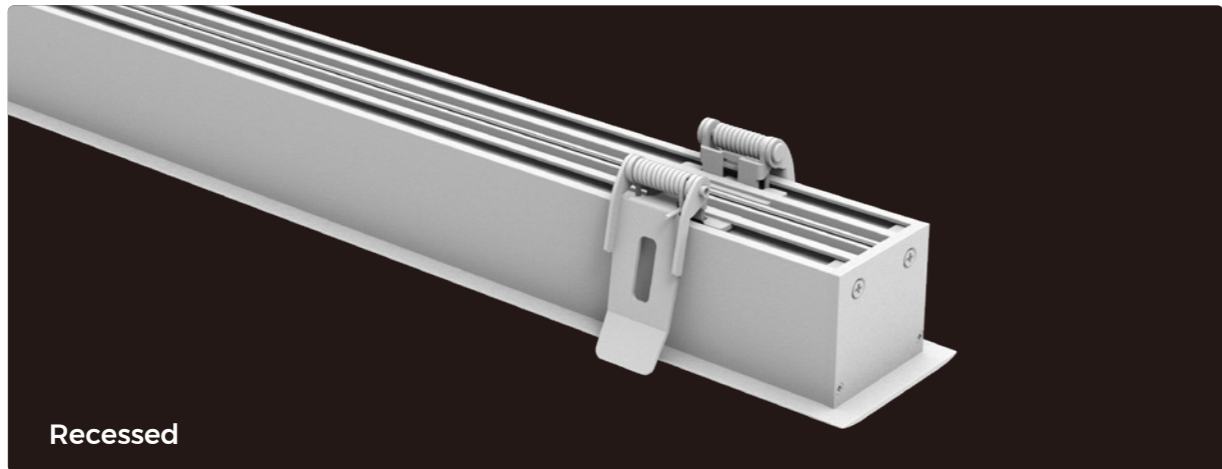
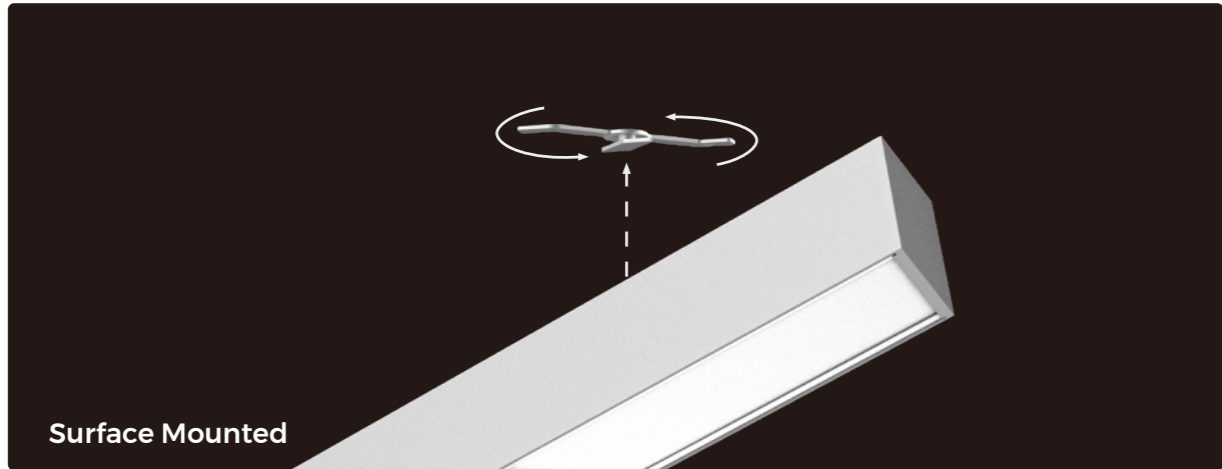


Input	24Vdc-48Vdc
Output	Bus DALI 180mA (64 DALI control gears)
Output channels	1
Command	Casambi
Control inputs	-
Power consumption	10W
Highlights	protections against: voltage spikes - input polarity reversal. DALI-2 compatible
Accessories	plastic box
Dimensions	180x42x25mm



Multiple installation methods

A variety of installation methods to meet the needs of different scenarios



Easy to install

Easy to connection

- No disassembly plug splicing, better splicing experience
- Working at height is more convenient



Worry-free Quality Warranty

Handpicked international brand Bridgelux&Osram LEDs,
LM80, CE, UKCA certified, 5-year warranty.

SDCM \leq 3



Brand LEDs



High CRI

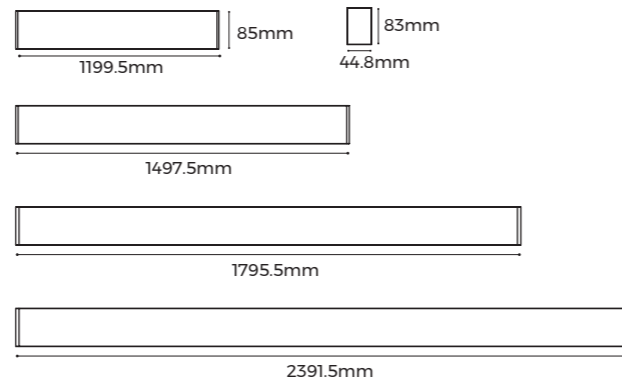
CRI>80

CRI>90



LINE40FD

Diffuser



Basic Parameters

Installation	Pendant, Ceiling
Lighting direction	Downward
Material	AL6063-T5, spraying surface
Coating	Black, White
Dimming method	Non/ DALI-2+PUSH/1-10V/ Tuya/ Casambi optional
Input voltage	AC220-240V
Application	Indoor
IP grade	IP20
Warranty	5 years (Emergency: 3 years)
Emergency lighting	3H optional
Certification	CE, UKCA, Rohs, Reach

Luminaire Parameters

Light source	Brigelux 2835/ Qizhi 2835			
SDCM	≤3 Step(ANSI)			
CRI	80\90			
CCT	2700\3000\3500\4000\5000\6500\3000-6500K			
Length (mm)	1199.5	1497.5	1795.5	2391.5
Power (w)	34	46	51	68
Luminous flux (lm) (Regular model)	3740	5060	5610	7480
Luminous flux (lm) (High-efficiency model)	4420	5980	6630	8840
Light efficiency	110LM/ W, 130M/ W			
Beam angle	110°			

* The above parameters are based on Ra80, 4000K Light source.

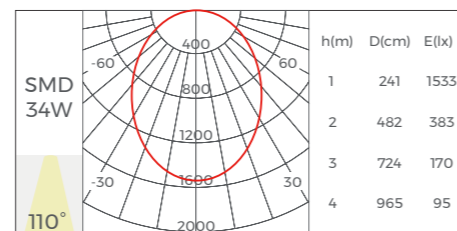
Installation Accessories

Pendant Cable (with junction box)	PY-D	
Pendant Cable	PN-D	
Pendant clip	CP-44 31.6X20X5.8mm	
Ceiling accessory	CL-08 72X54X5.9mm	
Pendant Rod	PG-I	
Whole luminaire splicing bars	EX-41 110X11.5X11.7mm	

Corner accessories

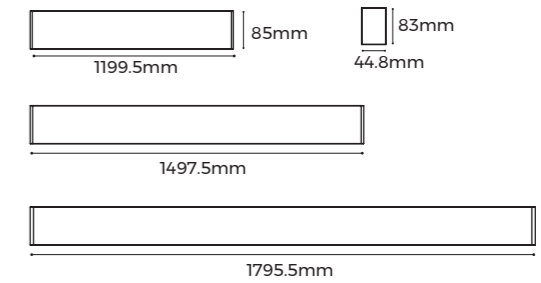
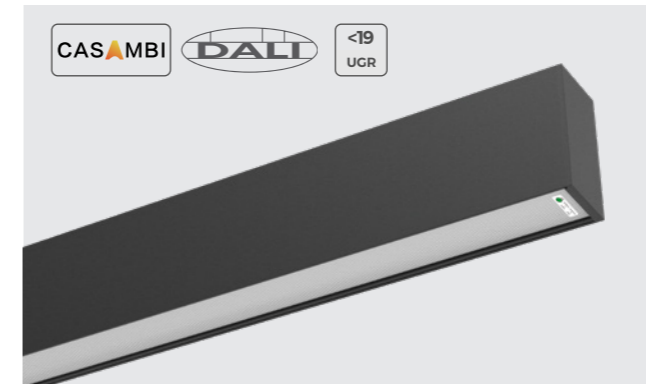
L-shaped corner (60°)	L60-LS40 200X173.2X83mm	
L-shaped corner (90°)	L90-LS40 200X200X83mm	
L-shaped corner (120°)	L120-LS40 200X195.6X83mm	
Y-shaped corner	Y120-LS40 368.8X319.4X83mm	
X-shaped corner	X90-LS40 400X400X83mm	

* None of the five corners contains Light sources.



LINE40FP

Prismatic



Basic Parameters

Installation	Pendant, Ceiling
Lighting direction	Downward
Material	AL6063-T5, spraying surface
Coating	Black, White
Dimming method	Non/ DALI-2+PUSH/1-10V/ Tuya/ Casambi optional
Input voltage	AC220-240V
Application	Indoor
IP grade	IP20
Warranty	5 years (Emergency: 3 years)
Emergency lighting	3H optional
Certification	CE, UKCA, Rohs, Reach

Luminaire Parameters

Light source	Brigelux 2835		
SDCM	≤3 Step(ANSI)		
UGR	<19 (X=4H, Y=8H)		
CRI	80\90		
CCT	2700\3000\3500\4000\5000\6500\3000-6500K		
Length (mm)	1199.5	1497.5	1795.5
Power (w)	28	34	40
Luminous flux (lm) (Regular model)	2520	3060	3600
Luminous flux (lm) (High-efficiency model)	3360	4080	4800
Light efficiency	120LM/ W		
Beam angle	65° x70°		

* The above parameters are based on Ra80, 4000K Light source.

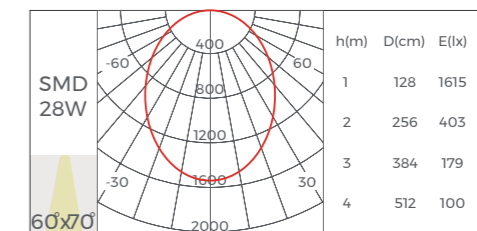
Installation Accessories

Pendant Cable (with junction box)	PY-D	
Pendant Cable	PN-D	
Pendant clip	CP-44 31.6X20X5.8mm	
Ceiling accessory	CL-08 72X54X5.9mm	
Pendant Rod	PG-I	
Whole luminaire splicing bars	EX-41 110X11.5X11.7mm	

Corner accessories

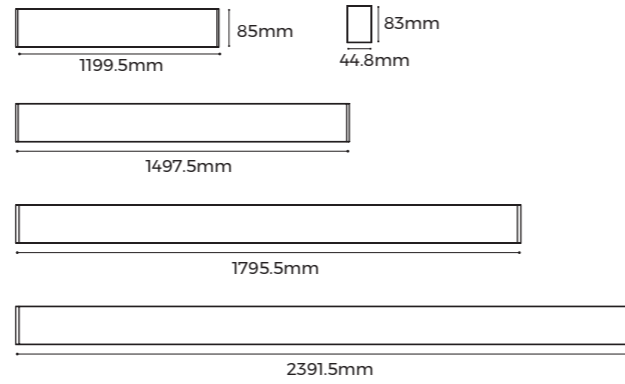
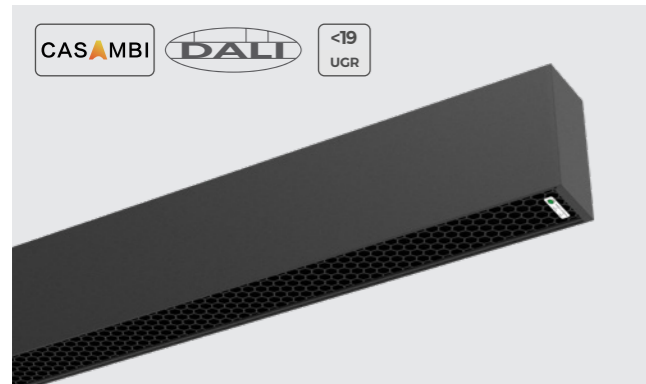
L-shaped corner (60°)	L60-LS40 200X173.2X83mm	
L-shaped corner (90°)	L90-LS40 200X200X83mm	
L-shaped corner (120°)	L120-LS40 200X195.6X83mm	
Y-shaped corner	Y120-LS40 368.8X319.4X83mm	
X-shaped corner	X90-LS40 400X400X83mm	

* None of the five corners contains Light sources.



LINE40HP

Honeycomb



Basic Parameters

Installation	Pendant, Ceiling
Lighting direction	Downward
Material	AL6063-T5, spraying surface
Coating	Black, White
Dimming method	Non/ DALI-2+PUSH/1-10V/ Tuya/ Casambi optional
Input voltage	AC220-240V
Application	Indoor
IP grade	IP20
Warranty	5 years (Emergency: 3 years)
Emergency lighting	3H optional
Certification	CE, UKCA, Rohs, Reach

Luminaire Parameters

Light source	Brigelux 2835			
SDCM	≤3 Step(ANSI)			
UGR	<19 (X=4H, Y=8H)			
CRI	80\90			
CCT	2700\3000\3500\4000\5000\6500\3000-6500K			
Length (mm)	1199.5	1497.5	1795.5	2391.5
Power (w)	34	46	51	68
Luminous flux (lm)	2550	3450	3825	5100
Light efficiency	75LM/ W			
Beam angle	60x75°			

* The above parameters are based on Ra80, 4000K Light source.

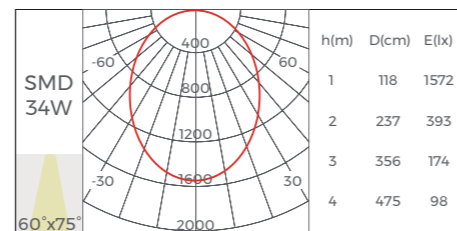
Installation Accessories

Pendant Cable (with junction box)	PY-D	
Pendant Cable	PN-D	
Pendant clip	CP-44 31.6X20X5.8mm	
Ceiling accessory	CL-08 72X54X5.9mm	
Pendant Rod	PG-I	
Whole luminaire splicing bars	EX-41 110X11.5X11.7mm	

Corner accessories

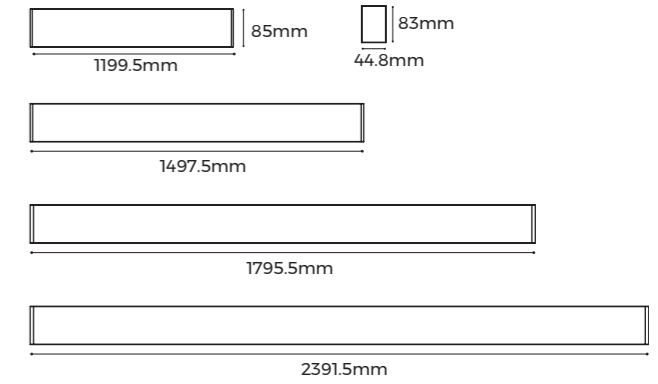
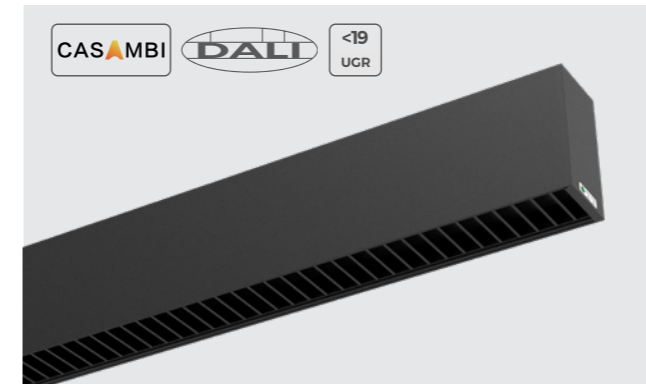
L-shaped corner (60°)	L60-LS40 200X173.2X83mm	
L-shaped corner (90°)	L90-LS40 200X200X83mm	
L-shaped corner (120°)	L120-LS40 200X195.6X83mm	
Y-shaped corner	Y120-LS40 368.8X319.4X83mm	
X-shaped corner	X90-LS40 400X400X83mm	

* None of the five corners contains Light sources.



LINE40BD

Louver



Basic Parameters

Installation	Pendant, Ceiling
Lighting direction	Downward
Material	AL6063-T5, spraying surface
Coating	Black, White
Dimming method	Non/ DALI-2+PUSH/1-10V/ Tuya/ Casambi optional
Input voltage	AC220-240V
Application	Indoor
IP grade	IP20
Warranty	5 years (Emergency: 3 years)
Emergency lighting	3H optional
Certification	CE, UKCA, Rohs, Reach

Luminaire Parameters

Light source	Brigelux 2835			
SDCM	≤3 Step(ANSI)			
UGR	<19 (X=4H, Y=8H)			
CRI	80\90			
CCT	2700\3000\3500\4000\5000\6500\3000-6500K			
Length (mm)	1199.5	1497.5	1795.5	2391.5
Power (w)	28	34	40	56
Luminous flux (lm)	1820	2210	2600	3640
Light efficiency	65LM/ W			
Beam angle	65°			

* The above parameters are based on Ra80, 4000K Light source.

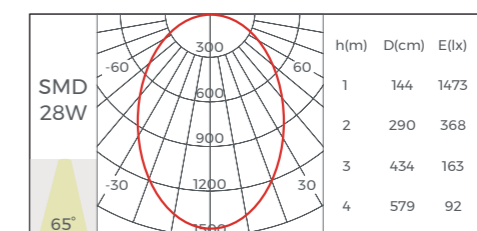
Installation Accessories

Pendant Cable (with junction box)	PY-D	
Pendant Cable	PN-D	
Pendant clip	CP-44 31.6X20X5.8mm	
Ceiling accessory	CL-08 72X54X5.9mm	
Pendant Rod	PG-I	
Whole luminaire splicing bars	EX-41 110X11.5X11.7mm	

Corner accessories

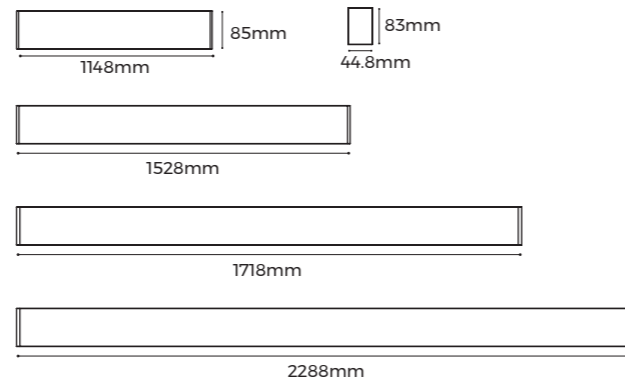
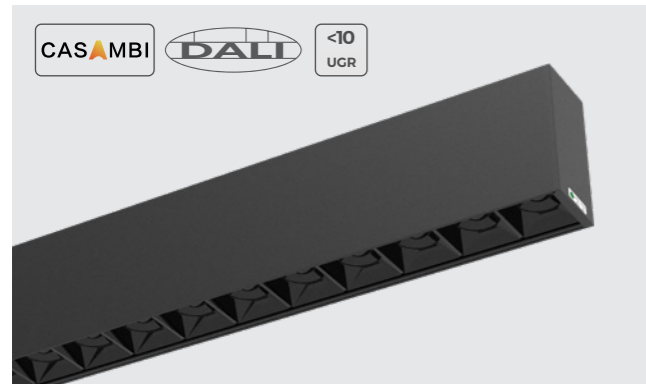
L-shaped corner (60°)	L60-LS40 200X173.2X83mm	
L-shaped corner (90°)	L90-LS40 200X200X83mm	
L-shaped corner (120°)	L120-LS40 200X195.6X83mm	
Y-shaped corner	Y120-LS40 368.8X319.4X83mm	
X-shaped corner	X90-LS40 400X400X83mm	

* None of the five corners contains Light sources.



LINE40G

Grating



Basic Parameters

Installation	Pendant, Ceiling
Lighting direction	Downward
Material	AL6063-T5, spraying surface
Coating	Black, White
Dimming method	Non/ DALI-2+PUSH/1-10V/ Tuya/ Casambi optional
Input voltage	AC220-240V
Application	Indoor
IP grade	IP20
Warranty	5 years (Emergency: 3 years)
Emergency lighting	3H optional
Certification	CE, UKCA, Rohs, Reach

Luminaire Parameters

Light source	OSRAM 3030+Brigelux 2835			
SDCM	≤3 Step(ANSI)			
UGR	<10			
CRI	80\90			
CCT	2700\3000\3500\4000\5000\6500\2700-6500K			
Length (mm)	1148	1528	1718	2288
Power (w)	30	40	44	60
Luminous flux (lm)	3000	4000	4400	6000
Light efficiency	100LM/ W			
Beam angle	18° / 30° / 45°			

* The above parameters are based on Ra80, 4000K, 30° Light source.

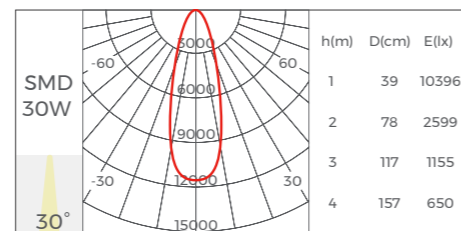
Installation Accessories

Pendant Cable (with junction box)	PY-D	
Pendant Cable	PN-D	
Pendant clip	CP-44 31.6X20X5.8mm	
Ceiling accessory	CL-08 72X54X5.9mm	
Pendant Rod	PG-I	
Whole luminaire splicing bars	EX-41 110X11.5X11.7mm	

Corner accessories

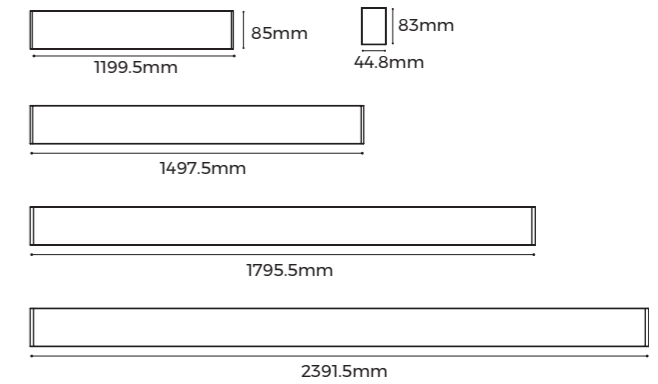
L-shaped corner (60°)	L60-LS40 200X173.2X83mm	
L-shaped corner (90°)	L90-LS40 200X200X83mm	
L-shaped corner (120°)	L120-LS40 200X195.6X83mm	
Y-shaped corner	Y120-LS40 368.8X319.4X83mm	
X-shaped corner	X90-LS40 400X400X83mm	

* None of the five corners contains Light sources.



LINE40LA

Asymmetric



Basic Parameters

Installation	Pendant, Ceiling
Lighting direction	Downward
Material	AL6063-T5, spraying surface
Coating	Black, White
Dimming method	Non/ DALI-2+PUSH/1-10V/ Tuya/ Casambi optional
Input voltage	AC220-240V
Application	Indoor
IP grade	IP20
Warranty	5 years (Emergency: 3 years)
Emergency lighting	3H optional
Certification	CE, UKCA, Rohs, Reach

Luminaire Parameters

Light source	OSRAM 3030+Brigelux 2835			
SDCM	≤3 Step(ANSI)			
CRI	80\90			
CCT	2700\3000\3500\4000\5000\6500\3000-6500K			
Length (mm)	1199.5	1497.5	1795.5	2391.5
Power (w)	28	34	40	56
Luminous flux (lm)	3220	3910	4600	6440
Light efficiency	115LM/ W			
Beam angle	(100° x45° x15°)			

* The above parameters are based on Ra80, 4000K Light source.

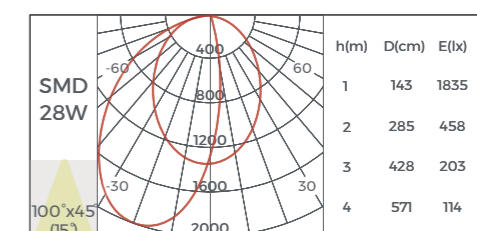
Installation Accessories

Pendant Cable (with junction box)	PY-D	
Pendant Cable	PN-D	
Pendant clip	CP-44 31.6X20X5.8mm	
Ceiling accessory	CL-08 72X54X5.9mm	
Pendant Rod	PG-I	
Whole luminaire splicing bars	EX-41 110X11.5X11.7mm	

Corner accessories

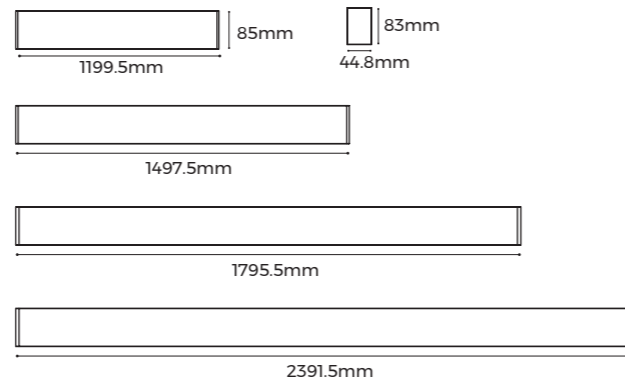
L-shaped corner (60°)	L60-LS40 200X173.2X83mm	
L-shaped corner (90°)	L90-LS40 200X200X83mm	
L-shaped corner (120°)	L120-LS40 200X195.6X83mm	
Y-shaped corner	Y120-LS40 368.8X319.4X83mm	
X-shaped corner	X90-LS40 400X400X83mm	

* None of the five corners contains Light sources.



LINE40LS

Double asymmetric



Basic Parameters

Installation	Pendant, Ceiling
Lighting direction	Downward
Material	AL6063-T5, spraying surface
Coating	Black, White
Dimming method	Non/ DALI-2+PUSH/1-10V/ Tuya/ Casambi optional
Input voltage	AC220-240V
Application	Indoor
IP grade	IP20
Warranty	5 years (Emergency: 3 years)
Emergency lighting	3H optional
Certification	CE, UKCA, Rohs, Reach

Luminaire Parameters

Light source	OSRAM 3030+Brigelux 2835			
SDCM	≤3 Step(ANSI)			
CRI	80\90			
CCT	2700\3000\3500\4000\5000\6500\3000-6500K			
Length (mm)	1199.5	1497.5	1795.5	2391.5
Power (w)	28	34	40	56
Luminous flux (lm)	3220	3910	4600	6440
Light efficiency	115LM/ W			
Beam angle	(100° x90° x15°)			

* The above parameters are based on Ra80, 4000K Light source.

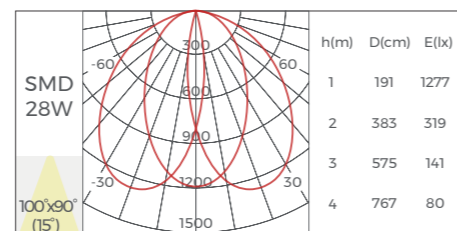
Installation Accessories

Pendant Cable (with junction box)	PY-D	
Pendant Cable	PN-D	
Pendant clip	CP-44 31.6X20X5.8mm	
Ceiling accessory	CL-08 72X54X5.9mm	
Pendant Rod	PG-I	
Whole luminaire splicing bars	EX-41 110X11.5X11.7mm	

Corner accessories

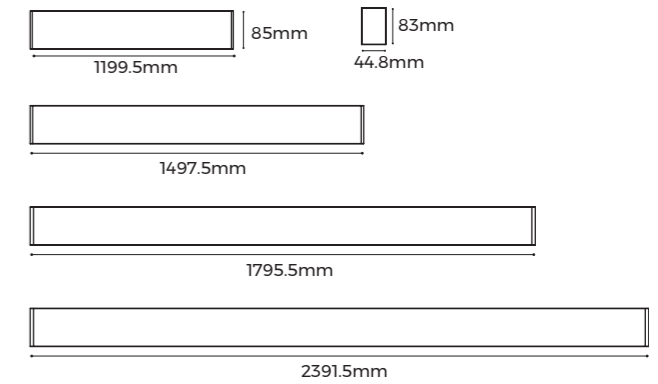
L-shaped corner (60°)	L60-LS40 200X173.2X83mm	
L-shaped corner (90°)	L90-LS40 200X200X83mm	
L-shaped corner (120°)	L120-LS40 200X195.6X83mm	
Y-shaped corner	Y120-LS40 368.8X319.4X83mm	
X-shaped corner	X90-LS40 400X400X83mm	

* None of the five corners contains Light sources.



LINE40FD

Diffuser



Basic Parameters

Installation	Pendant
Lighting direction	Upward&Downward
Material	AL6063-T5, spraying surface
Coating	Black, White
Dimming method	Non/ DALI-2+PUSH/1-10V/ Tuya/ Casambi optional
Input voltage	AC220-240V
Application	Indoor
IP grade	IP20
Warranty	5 years (Emergency: 3 years)
Emergency lighting	3H optional
Certification	CE, UKCA, Rohs, Reach

Luminaire Parameters

Light source	Brigelux 2835 / Qizhi 2835			
SDCM	≤3 Step(ANSI)			
CRI	80\90			
CCT	2700\3000\3500\4000\5000\6500\3000-6500K			
Length (mm)	1199.5	1497.5	1795.5	2391.5
Power (w) Up	12	15	18	23
Power (w) Down	34	44	51	68
Luminous flux (lm) (Regular model)	1320	1650	1980	2530
	3740	4840	5610	7480
Luminous flux (lm) (High-efficiency model)	1440	1800	2160	2760
	4080	5280	6120	8160
Light efficiency	110LM/ W, 120M/ W			
Beam angle	Up: 110° , Down: 110°			

* The above parameters are based on Ra80, 4000K Light source.

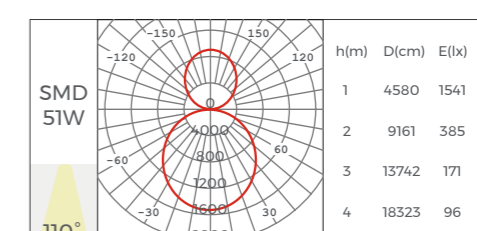
Installation Accessories

Pendant Cable (with junction box)	PY-D	
Pendant Cable	PN-D	
Pendant clip	CP-44 31.6X20X5.8mm	
Ceiling accessory	CL-08 72X54X5.9mm	
Pendant Rod	PG-I	
Whole luminaire splicing bars	EX-41 110X11.5X11.7mm	

Corner accessories

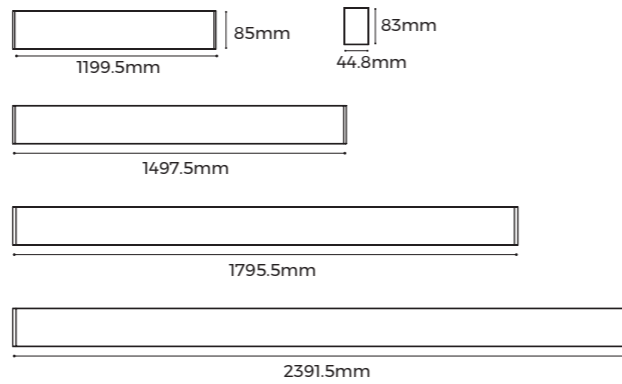
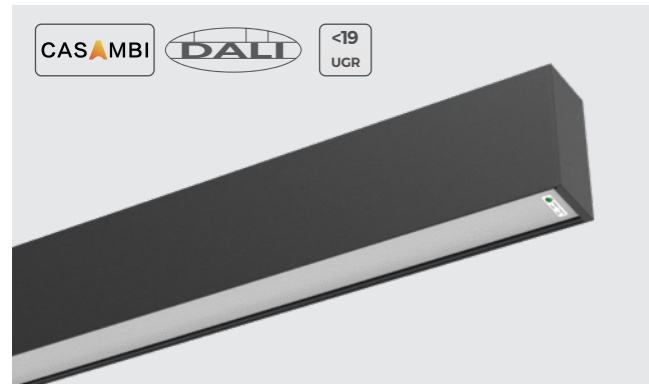
L-shaped corner (60°)	L60-LH40 200X173.2X83mm	
L-shaped corner (90°)	L90-LH40 200X200X83mm	
L-shaped corner (120°)	L120-LH40 200X195.6X83mm	
Y-shaped corner	Y120-LH40 368.8X319.4X83mm	
X-shaped corner	X90-LH40 400X400X83mm	

* None of the five corners contains Light sources.



LINE40FP

Prismatic



Basic Parameters

Installation	Pendant
Lighting direction	Upward&Downward
Material	AL6063-T5, spraying surface
Coating	Black, White
Dimming method	Non/ DALI-2+PUSH/1-10V/ Tuya/ Casambi optional
Input voltage	AC220-240V
Application	Indoor
IP grade	IP20
Warranty	5 years (Emergency: 3 years)
Emergency lighting	3H optional
Certification	CE, UKCA, Rohs, Reach

Luminaire Parameters

Light source	Brigelux 2835		
SDCM	≤3 Step(ANSI)		
UGR	<19 (X=4H, Y=8H)		
CRI	80\90		
CCT	2700\3000\3500\4000\5000\6500\3000-6500K		
Length (mm)	1199.5	1497.5	1795.5
Power (w) Up	13	15	20
Power (w) Down	26	31	40
Luminous flux (lm) (Regular model)	1300	1500	2000
	2600	3100	4000
Luminous flux (lm) (High-efficiency model)	1560	1800	2400
	3120	3720	4800
Light efficiency	100LM/ W, 120LM/ W		
Beam angle	Up: 110° , Down: 65° x70°		

* The above parameters are based on Ra80, 4000K Light source.

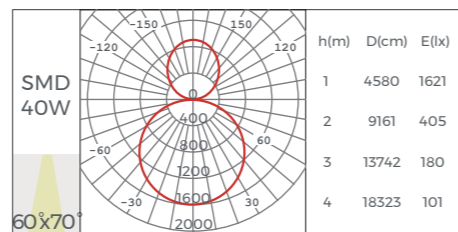
Installation Accessories

Pendant Cable (with junction box)	PY-D	
Pendant Cable	PN-D	
Pendant clip	CP-44 31.6X20X5.8mm	
Ceiling accessory	CL-08 72X54X5.9mm	
Pendant Rod	PG-I	
Whole luminaire splicing bars	EX-41 110X11.5X11.7mm	

Corner accessories

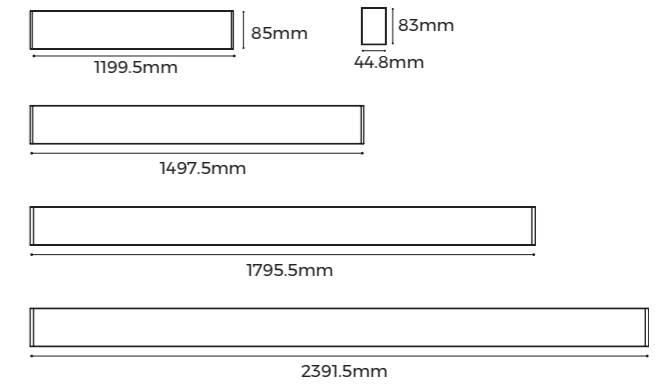
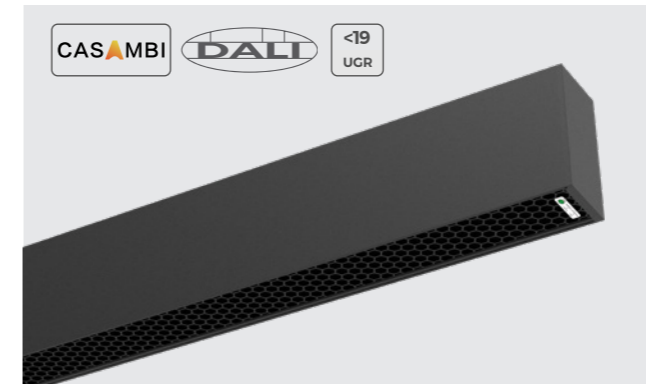
L-shaped corner (60°)	L60-LH40 200X173.2X83mm	
L-shaped corner (90°)	L90-LH40 200X200X83mm	
L-shaped corner (120°)	L120-LH40 200X195.6X83mm	
Y-shaped corner	Y120-LH40 368.8X319.4X83mm	
X-shaped corner	X90-LH40 400X400X83mm	

* None of the five corners contains Light sources.



LINE40HP

Honeycomb



Basic Parameters

Installation	Pendant
Lighting direction	Upward&Downward
Material	AL6063-T5, spraying surface
Coating	Black, White
Dimming method	Non/ DALI-2+PUSH/1-10V/ Tuya/ Casambi optional
Input voltage	AC220-240V
Application	Indoor
IP grade	IP20
Warranty	5 years (Emergency: 3 years)
Emergency lighting	3H optional
Certification	CE, UKCA, Rohs, Reach

Luminaire Parameters

Light source	Brigelux 2835			
SDCM	≤3 Step(ANSI)			
UGR	<19 (X=4H, Y=8H)			
CRI	80\90			
CCT	2700\3000\3500\4000\5000\6500\3000-6500K			
Length (mm)	1199.5	1497.5	1795.5	2391.5
Power (w) Up	12	15	18	23
Power (w) Down	34	44	61	68
luminous flux (lm) Up	960	1200	1440	1840
luminous flux (lm) Down	2720	3520	4080	5440
Light efficiency	80LM/ W			
Beam angle	Up: 110° , Down: 65° x70°			

* The above parameters are based on Ra80, 4000K Light source.

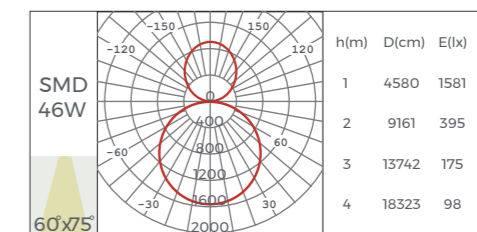
Installation Accessories

Pendant Cable (with junction box)	PY-D	
Pendant Cable	PN-D	
Pendant clip	CP-44 31.6X20X5.8mm	
Ceiling accessory	CL-08 72X54X5.9mm	
Pendant Rod	PG-I	
Whole luminaire splicing bars	EX-41 110X11.5X11.7mm	

Corner accessories

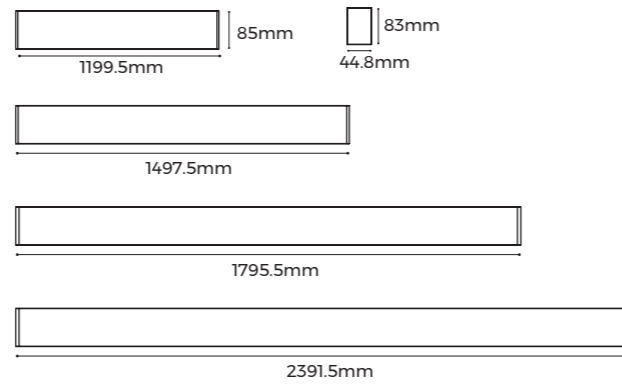
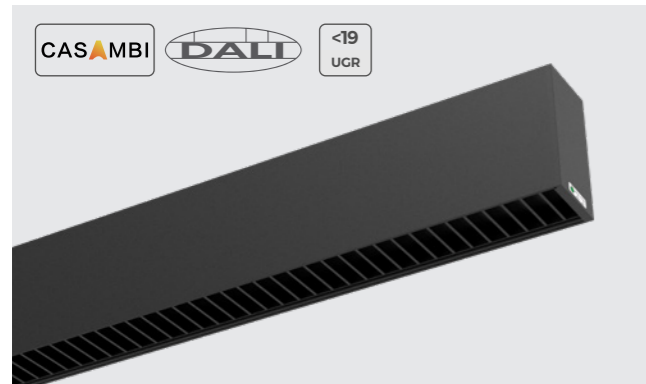
L-shaped corner (60°)	L60-LH40 200X173.2X83mm	
L-shaped corner (90°)	L90-LH40 200X200X83mm	
L-shaped corner (120°)	L120-LH40 200X195.6X83mm	
Y-shaped corner	Y120-LH40 368.8X319.4X83mm	
X-shaped corner	X90-LH40 400X400X83mm	

* None of the five corners contains Light sources.



LINE40BD

Louver



Basic Parameters

Installation	Pendant
Lighting direction	Upward&Downward
Material	AL6063-T5, spraying surface
Coating	Black, White
Dimming method	Non/ DALI-2+PUSH/1-10V/ Tuya/ Casambi optional
Input voltage	AC220-240V
Application	Indoor
IP grade	IP20
Warranty	5 years (Emergency: 3 years)
Emergency lighting	3H optional
Certification	CE, UKCA, Rohs, Reach

Luminaire Parameters

Light source	Brigelux 2835
SDCM	≤3 Step(ANSI)
UGR	<19 (X=4H, Y=8H)
CRI	80\90

CCT 2700\3000\3500\4000\5000\6500\3000-6500K

Length (mm)	1199.5	1497.5	1795.5	2391.5
Power (w) Up	13	15	20	28
Power (w) Down	26	31	40	56
luminous flux (lm) Up	1040	1200	1600	2240
luminous flux (lm) Down	2080	2480	3200	4480

Light efficiency 80LM/ W

Beam angle Up: 110° , Down: 65°

* The above parameters are based on Ra80, 4000K Light source.

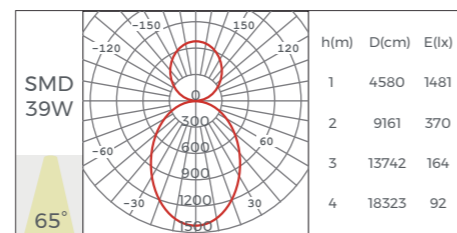
Installation Accessories

Pendant Cable (with junction box)	PY-D	
Pendant Cable	PN-D	
Pendant clip	CP-44 31.6X20X5.8mm	
Ceiling accessory	CL-08 72X54X5.9mm	
Pendant Rod	PG-I	
Whole luminaire splicing bars	EX-41 110X11.5X11.7mm	

Corner accessories

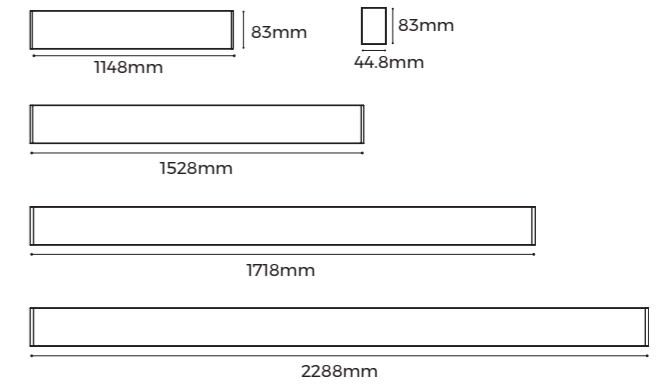
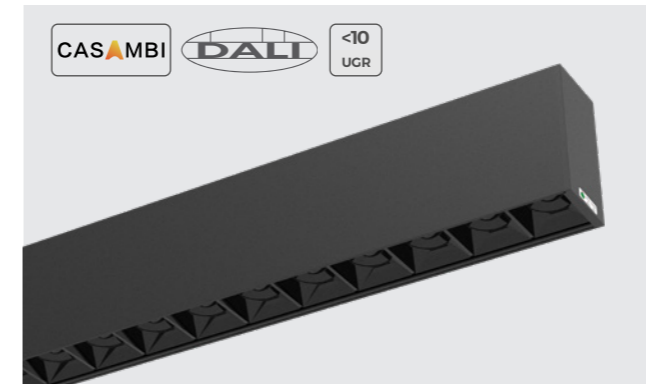
L-shaped corner (60°)	L60-LH40 200X173.2X83mm	
L-shaped corner (90°)	L90-LH40 200X200X83mm	
L-shaped corner (120°)	L120-LH40 200X195.6X83mm	
Y-shaped corner	Y120-LH40 368.8X319.4X83mm	
X-shaped corner	X90-LH40 400X400X83mm	

* None of the five corners contains Light sources.



LINE40G

Grating



Basic Parameters

Installation	Pendant
Lighting direction	Upward&Downward
Material	AL6063-T5, spraying surface
Coating	Black, White
Dimming method	Non/ DALI-2+PUSH/1-10V/ Tuya/ Casambi optional
Input voltage	AC220-240V
Application	Indoor
IP grade	IP20
Warranty	5 years (Emergency: 3 years)
Emergency lighting	3H optional
Certification	CE, UKCA, Rohs, Reach

Luminaire Parameters

Light source	Up: Brigelux 2835 / Down: OSRAM 3030
SDCM	≤3 Step(ANSI)
UGR	<10
CRI	80\90

CCT 2700\3000\3500\4000\5000\6500\3000-6500K

Length (mm)	1148	1528	1718	2288
Power (w) Up	10	14	15	20
Power (w) Down	31	42	47	60
luminous flux (lm) Up	1000	1400	1500	2000
luminous flux (lm) Down	3700	4200	4700	6000

Light efficiency 80/ 100/ 100LM/ W

Beam angle Up: 110° , Down: 18° / 30° / 45°

* The above parameters are based on Ra80, 4000K,30° Light source.

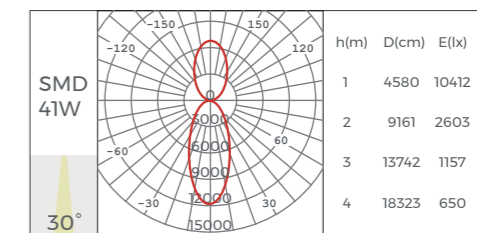
Installation Accessories

Pendant Cable (with junction box)	PY-D	
Pendant Cable	PN-D	
Pendant clip	CP-44 31.6X20X5.8mm	
Ceiling accessory	CL-08 72X54X5.9mm	
Pendant Rod	PG-I	
Whole luminaire splicing bars	EX-41 110X11.5X11.7mm	

Corner accessories

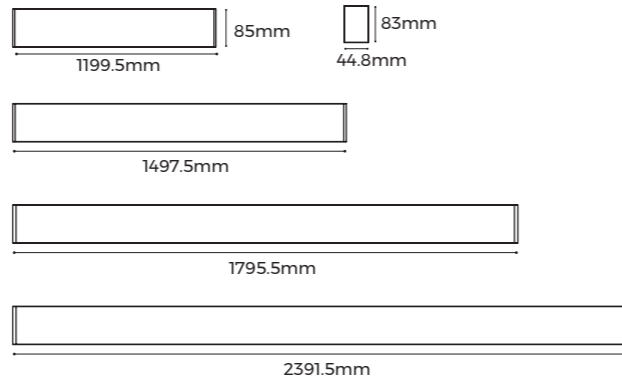
L-shaped corner (60°)	L60-LH40 200X173.2X83mm	
L-shaped corner (90°)	L90-LH40 200X200X83mm	
L-shaped corner (120°)	L120-LH40 200X195.6X83mm	
Y-shaped corner	Y120-LH40 368.8X319.4X83mm	
X-shaped corner	X90-LH40 400X400X83mm	

* None of the five corners contains Light sources.



LINE40LA

Asymmetric



Basic Parameters

Installation	Pendant
Lighting direction	Upward&Downward
Material	AL6063-T5, spraying surface
Coating	Black, White
Dimming method	Non/ DALI-2+PUSH/1-10V/ Tuya/ Casambi optional
Input voltage	AC220-240V
Application	Indoor
IP grade	IP20
Warranty	5 years (Emergency: 3 years)
Emergency lighting	3H optional
Certification	CE, UKCA, Rohs, Reach

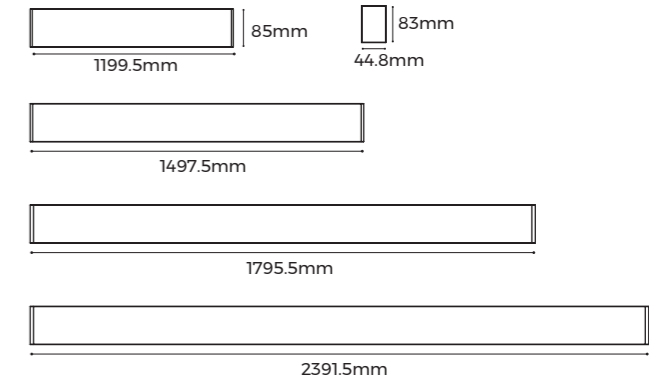
Luminaire Parameters

Light source	Brigelux 2835			
SDCM	≤3 Step(ANSI)			
CRI	80\90			
CCT	2700\3000\3500\4000\5000\6500\3000-6500K			
Length (mm)	1199.5	1497.5	1795.5	2391.5
Power (w) Up	13	15	20	28
Power (w) Down	26	31	40	56
luminous flux (lm) Up	1495	1725	2300	3220
luminous flux (lm) Down	2990	3565	4600	6440
Light efficiency	115LM/ W			
Beam angle	Up: 110° , Down: 100° x45° x15°			

* The above parameters are based on Ra80, 4000K Light source.

LINE40LS

Double asymmetric



Basic Parameters

Installation	Pendant
Lighting direction	Upward&Downward
Material	AL6063-T5, spraying surface
Coating	Black, White
Dimming method	Non/ DALI-2+PUSH/1-10V/ Tuya/ Casambi optional
Input voltage	AC220-240V
Application	Indoor
IP grade	IP20
Warranty	5 years (Emergency: 3 years)
Emergency lighting	3H optional
Certification	CE, UKCA, Rohs, Reach

Luminaire Parameters

Light source	Brigelux 2835			
SDCM	≤3 Step(ANSI)			
CRI	80\90			
CCT	2700\3000\3500\4000\5000\6500\3000-6500K			
Length (mm)	1199.5	1497.5	1795.5	2391.5
Power (w) Up	13	15	20	28
Power (w) Down	26	31	40	56
luminous flux (lm) Up	1495	1725	2300	3220
luminous flux (lm) Down	2990	3565	4600	6440
Light efficiency	115LM/ W			
Beam angle	Up: 110° , Down: 100° x90° x15°			

* The above parameters are based on Ra80, 4000K Light source.

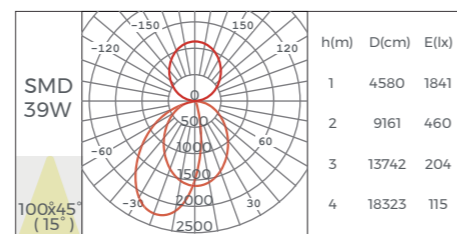
Installation Accessories

Pendant Cable (with junction box)	PY-D	
Pendant Cable	PN-D	
Pendant clip	CP-44 31.6X20X5.8mm	
Ceiling accessory	CL-08 72X54X5.9mm	
Pendant Rod	PG-I	
Whole luminaire splicing bars	EX-41 110X11.5X11.7mm	

Corner accessories

L-shaped corner (60°)	L60-LH40 200X173.2X83mm	
L-shaped corner (90°)	L90-LH40 200X200X83mm	
L-shaped corner (120°)	L120-LH40 200X195.6X83mm	
Y-shaped corner	Y120-LH40 368.8X319.4X83mm	
X-shaped corner	X90-LH40 400X400X83mm	

* None of the five corners contains Light sources.



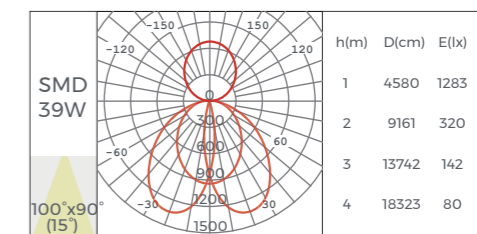
Installation Accessories

Pendant Cable (with junction box)	PY-D	
Pendant Cable	PN-D	
Pendant clip	CP-44 31.6X20X5.8mm	
Ceiling accessory	CL-08 72X54X5.9mm	
Pendant Rod	PG-I	
Whole luminaire splicing bars	EX-41 110X11.5X11.7mm	

Corner accessories

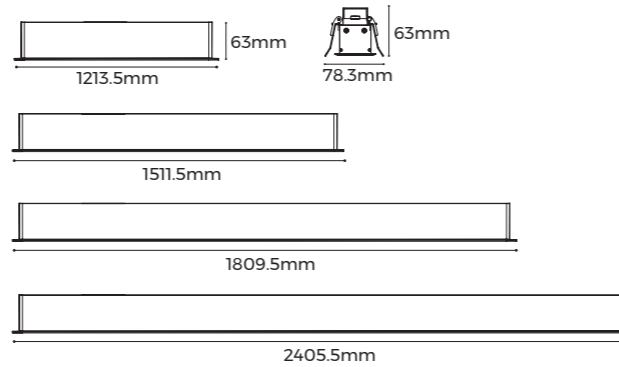
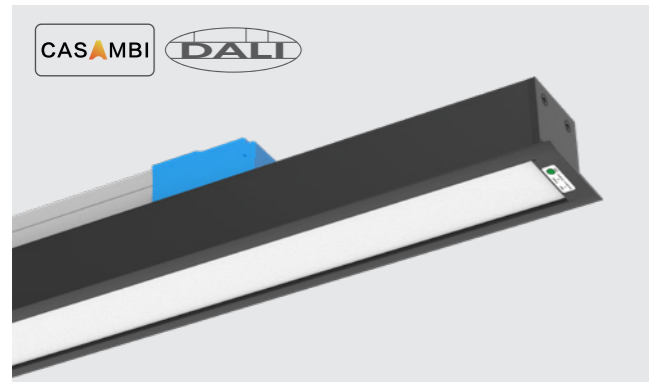
L-shaped corner (60°)	L60-LH40 200X173.2X83mm	
L-shaped corner (90°)	L90-LH40 200X200X83mm	
L-shaped corner (120°)	L120-LH40 200X195.6X83mm	
Y-shaped corner	Y120-LH40 368.8X319.4X83mm	
X-shaped corner	X90-LH40 400X400X83mm	

* None of the five corners contains Light sources.



LINE40FD

Diffuser



Basic Parameters

Installation	Pendant, Ceiling
Lighting direction	Downward
Material	AL6063-T5, spraying surface
Coating	Black, White
Dimming method	Non/ DALI-2+PUSH/1-10V/ Tuya/ Casambi optional
Input voltage	AC220-240V
Application	Indoor
IP grade	IP20
Warranty	5 years (Emergency: 3 years)
Emergency lighting	3H optional
Certification	CE, UKCA, Rohs, Reach

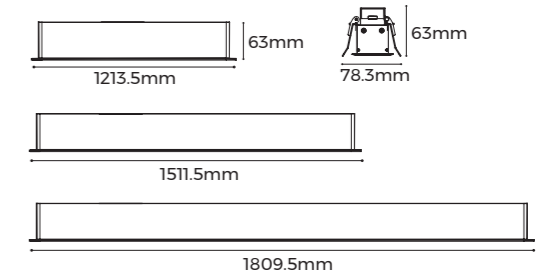
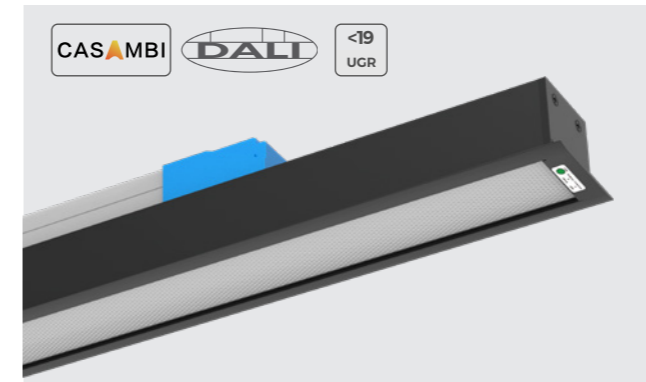
Luminaire Parameters

Light source	Brigelux 2835/ Qizhi 2835			
SDCM	≤3 Step(ANSI)			
CRI	80\90			
CCT	2700\3000\3500\4000\5000\6500\3000-6500K			
Length (mm)	1213.5	1511.5	1809.5	2405.5
Power (w)	34	46	51	68
Luminous flux (lm) (Regular model)	3740	5060	5610	7480
Luminous flux (lm) (High-efficiency model)	4420	5980	6630	8840
Light efficiency	110LM/ W, 130M/ W			
Beam angle	110°			

* The above parameters are based on Ra80, 4000K Light source.

LINE40FP

Prismatic



Basic Parameters

Installation	Pendant, Ceiling
Lighting direction	Downward
Material	AL6063-T5, spraying surface
Coating	Black, White
Dimming method	Non/ DALI-2+PUSH/1-10V/ Tuya/ Casambi optional
Input voltage	AC220-240V
Application	Indoor
IP grade	IP20
Warranty	5 years (Emergency: 3 years)
Emergency lighting	3H optional
Certification	CE, UKCA, Rohs, Reach

Luminaire Parameters

Light source	Brigelux 2835		
SDCM	≤3 Step(ANSI)		
UGR	<19 (X=4H, Y=8H)		
CRI	80\90		
CCT	2700\3000\3500\4000\5000\6500\3000-6500K		
Length (mm)	1213.5	1511.5	1809.5
Power (w)	28	34	40
Luminous flux (lm) (Regular model)	2520	3060	3600
Luminous flux (lm) (High-efficiency model)	3360	4080	4800
Light efficiency	90LM/ W, 120LM/ W		
Beam angle	60° x 70°		

* The above parameters are based on Ra80, 4000K Light source.

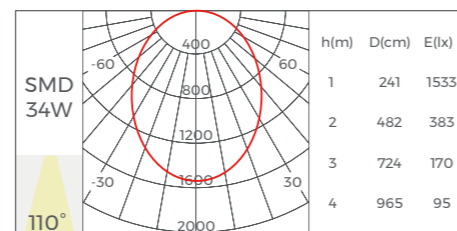
Installation Accessories

180° extender	EX-E1	
---------------	-------	--

Corner accessories

L-shaped corner (60°)	L60-LE40 200X173.2X40mm	
L-shaped corner (90°)	L90-LE40 200X200X40mm	
L-shaped corner (120°)	L120-LE40 200X200.7X40mm	
Y-shaped corner	Y120-LE40 373.9X323.8X40mm	
X-shaped corner	X90-LE40 400X400X40mm	

* None of the five corners contains Light sources.



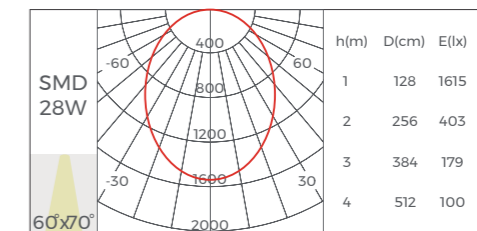
Installation Accessories

180° extender	EX-E1	
---------------	-------	--

Corner accessories

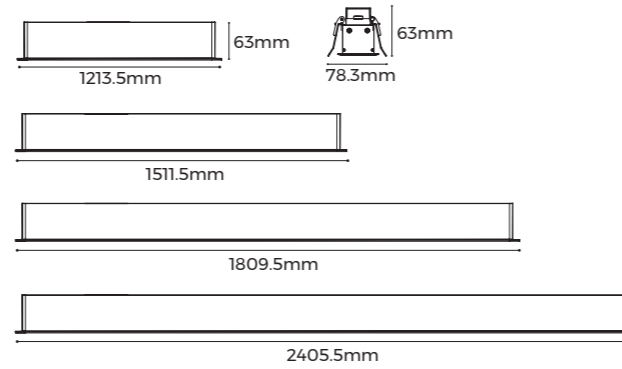
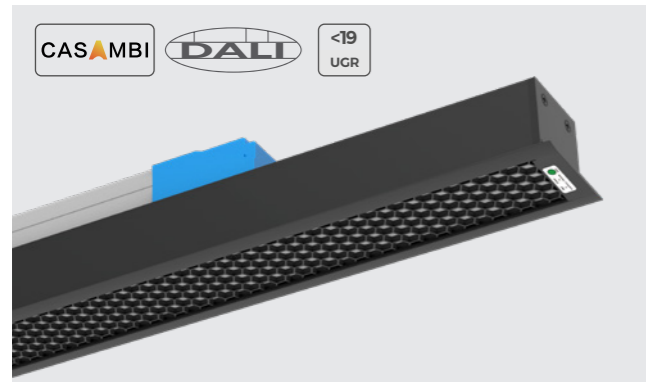
L-shaped corner (60°)	L60-LE40 200X173.2X40mm	
L-shaped corner (90°)	L90-LE40 200X200X40mm	
L-shaped corner (120°)	L120-LE40 200X200.7X40mm	
Y-shaped corner	Y120-LE40 373.9X323.8X40mm	
X-shaped corner	X90-LE40 400X400X40mm	

* None of the five corners contains Light sources.



LINE40HP

Honeycomb



Basic Parameters

Installation	Pendant, Ceiling
Lighting direction	Downward
Material	AL6063-T5, spraying surface
Coating	Black, White
Dimming method	Non/ DALI-2+PUSH/1-10V/ Tuya/ Casambi optional
Input voltage	AC220-240V
Application	Indoor
IP grade	IP20
Warranty	5 years (Emergency: 3 years)
Emergency lighting	3H optional
Certification	CE, UKCA, Rohs, Reach

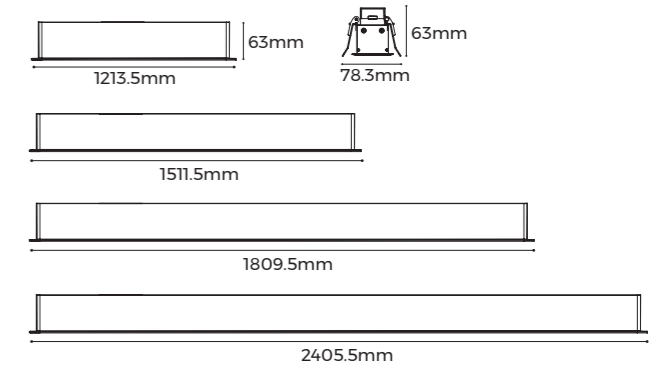
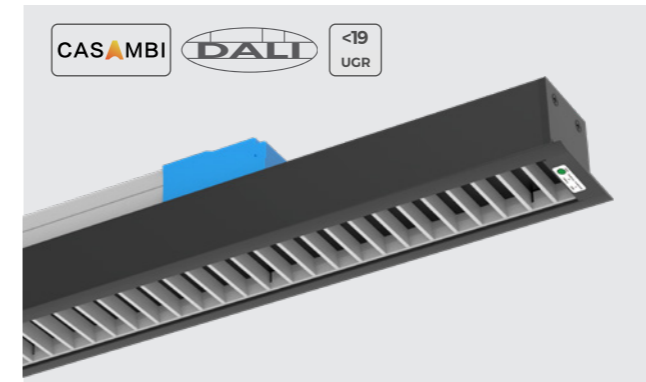
Luminaire Parameters

Light source	Brigelux 2835			
SDCM	≤3 Step(ANSI)			
UGR	<19 (X=4H, Y=8H)			
CRI	80\90			
CCT	2700\3000\3500\4000\5000\6500\3000-6500K			
Length (mm)	1213.5	1511.5	1809.5	2405.5
Power (w)	34	46	51	68
Luminous flux (lm)	2550	3450	3825	5100
Light efficiency	75LM/ W			
Beam angle	60x75°			

* The above parameters are based on Ra80, 4000K Light source.

LINE40BD

Louver



Basic Parameters

Installation	Pendant, Ceiling
Lighting direction	Downward
Material	AL6063-T5, spraying surface
Coating	Black, White
Dimming method	Non/ DALI-2+PUSH/1-10V/ Tuya/ Casambi optional
Input voltage	AC220-240V
Application	Indoor
IP grade	IP20
Warranty	5 years (Emergency: 3 years)
Emergency lighting	3H optional
Certification	CE, UKCA, Rohs, Reach

Luminaire Parameters

Light source	Brigelux 2835			
SDCM	≤3 Step(ANSI)			
UGR	<19 (X=4H, Y=8H)			
CRI	80\90			
CCT	2700\3000\3500\4000\5000\6500\3000-6500K			
Length (mm)	1213.5	1511.5	1809.5	2405.5
Power (w)	28	34	40	56
Luminous flux (lm)	1820	2210	2600	3640
Light efficiency	65LM/ W			
Beam angle	65°			

* The above parameters are based on Ra80, 4000K Light source.

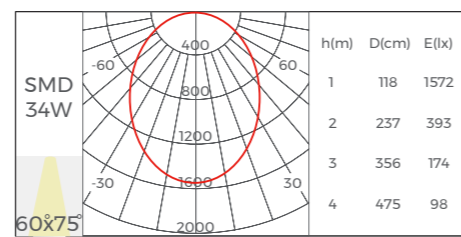
Installation Accessories

180° extender	EX-E1	
---------------	-------	--

Corner accessories

L-shaped corner (60°)	L60-LE40 200X173.2X40mm	
L-shaped corner (90°)	L90-LE40 200X200X40mm	
L-shaped corner (120°)	L120-LE40 200X200.7X40mm	
Y-shaped corner	Y120-LE40 373.9X323.8X40mm	
X-shaped corner	X90-LE40 400X400X40mm	

* None of the five corners contains Light sources.



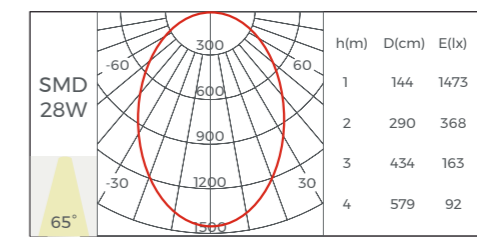
Installation Accessories

180° extender	EX-E1	
---------------	-------	--

Corner accessories

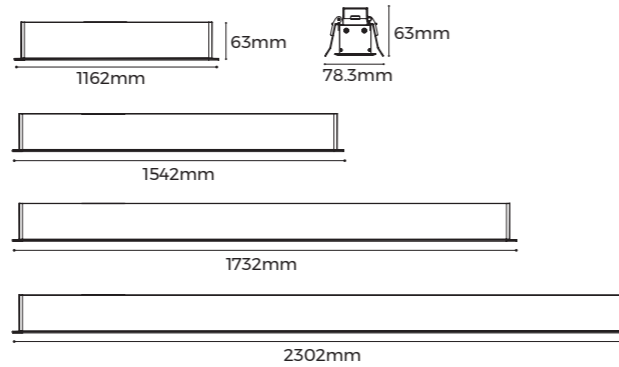
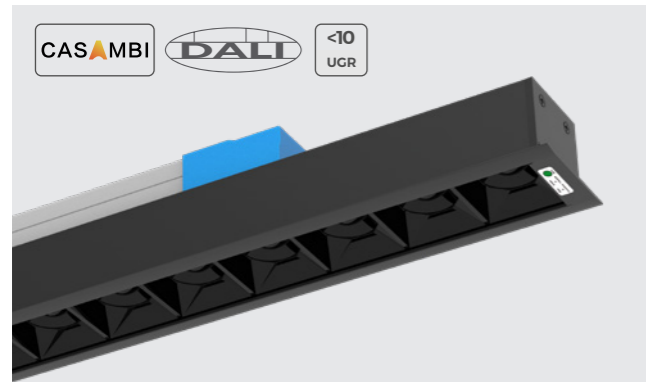
L-shaped corner (60°)	L60-LE40 200X173.2X40mm	
L-shaped corner (90°)	L90-LE40 200X200X40mm	
L-shaped corner (120°)	L120-LE40 200X200.7X40mm	
Y-shaped corner	Y120-LE40 373.9X323.8X40mm	
X-shaped corner	X90-LE40 400X400X40mm	

* None of the five corners contains Light sources.



LINE40G

Grating



Basic Parameters

Installation	Pendant, Ceiling
Lighting direction	Downward
Material	AL6063-T5, spraying surface
Coating	Black, White
Dimming method	Non/DALI-2+PUSH/1-10V/Tuya/Casambi optional
Input voltage	AC220-240V
Application	Indoor
IP grade	IP20
Warranty	5 years (Emergency: 3 years)
Emergency lighting	3H optional
Certification	CE, UKCA, Rohs, Reach

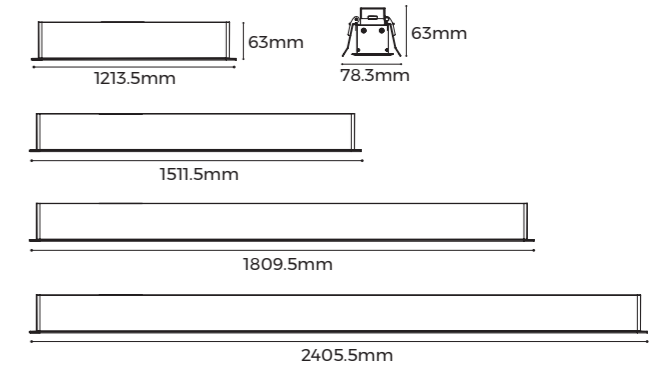
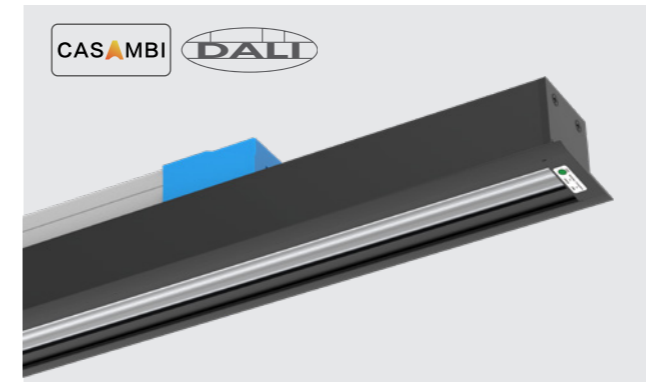
Luminaire Parameters

Light source	OSRAM 3030+Brigelux 2835			
SDCM	≤3 Step(ANSI)			
UGR	<10			
CRI	80\90			
CCT	2700\3000\3500\4000\5000\6500\3000-6500K			
Length (mm)	1162	1542	1732	2302
Power (w)	30	40	44	60
Luminous flux (lm)	3000	4000	4400	6000
Light efficiency	100LM/W			
Beam angle	18° / 30° / 45°			

* The above parameters are based on Ra80, 4000K, 30° Light source.

LINE40LA

Asymmetric



Basic Parameters

Installation	Pendant, Ceiling
Lighting direction	Downward
Material	AL6063-T5, spraying surface
Coating	Black, White
Dimming method	Non/DALI-2+PUSH/1-10V/Tuya/Casambi optional
Input voltage	AC220-240V
Application	Indoor
IP grade	IP20
Warranty	5 years (Emergency: 3 years)
Emergency lighting	3H optional
Certification	CE, UKCA, Rohs, Reach

Luminaire Parameters

Light source	OSRAM 3030+Brigelux 2835			
SDCM	≤3 Step(ANSI)			
CRI	80\90			
CCT	2700\3000\3500\4000\5000\6500\3000-6500K			
Length (mm)	1213.5	1511.5	1809.5	2405.5
Power (w)	28	34	40	56
Luminous flux (lm)	3220	3910	4600	6440
Light efficiency	115LM/W			
Beam angle	(100° x45° x15°)			

* The above parameters are based on Ra80, 4000K Light source.

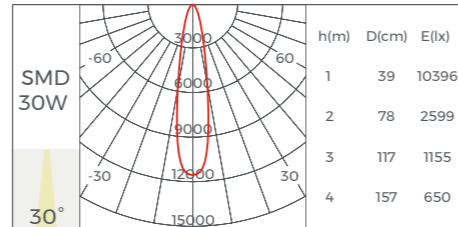
Installation Accessories

180° extender	EX-E1	
---------------	-------	--

Corner accessories

L-shaped corner (60°)	L60-LE40 200X173.2X40mm	
L-shaped corner (90°)	L90-LE40 200X200X40mm	
L-shaped corner (120°)	L120-LE40 200X200.7X40mm	
Y-shaped corner	Y120-LE40 373.9X323.8X40mm	
X-shaped corner	X90-LE40 400X400X40mm	

* None of the five corners contains Light sources.



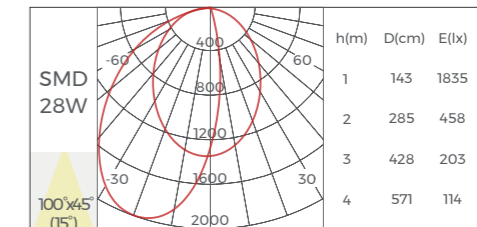
Installation Accessories

180° extender	EX-E1	
---------------	-------	--

Corner accessories

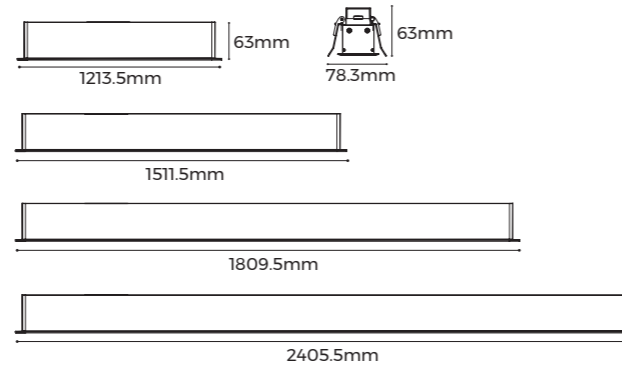
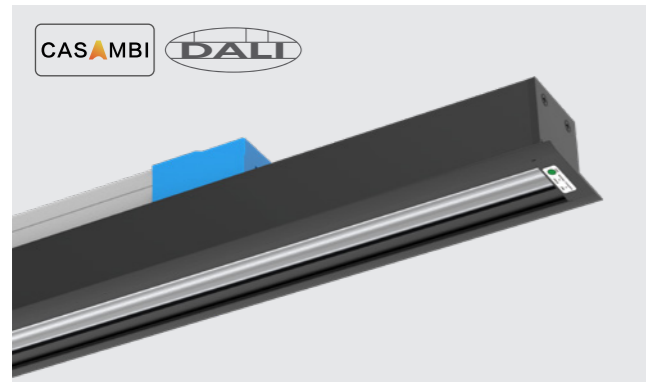
L-shaped corner (60°)	L60-LE40 200X173.2X40mm	
L-shaped corner (90°)	L90-LE40 200X200X40mm	
L-shaped corner (120°)	L120-LE40 200X200.7X40mm	
Y-shaped corner	Y120-LE40 373.9X323.8X40mm	
X-shaped corner	X90-LE40 400X400X40mm	

* None of the five corners contains Light sources.



LINE40LS

Double asymmetric



Basic Parameters

Installation	Pendant, Ceiling
Lighting direction	Downward
Material	AL6063-T5, spraying surface
Coating	Black, White
Dimming method	Non/DALI-2+PUSH/1-10V/Tuya/Casambi optional
Input voltage	AC220-240V
Application	Indoor
IP grade	IP20
Warranty	5 years (Emergency: 3 years)
Emergency lighting	3H optional
Certification	CE, UKCA, Rohs, Reach

Luminaire Parameters

Light source	OSRAM 3030+Brigelux 2835			
SDCM	≤3 Step(ANSI)			
CRI	80\90			
CCT	2700\3000\3500\4000\5000\6500\3000-6500K			
Length (mm)	1213.5	1511.5	1809.5	2405.5
Power (w)	28	34	40	56
Luminous flux (lm)	3220	3910	4600	6440
Light efficiency	115LM/ W			
Beam angle	(100° x90° x15°)			

* The above parameters are based on Ra80, 4000K Light source.

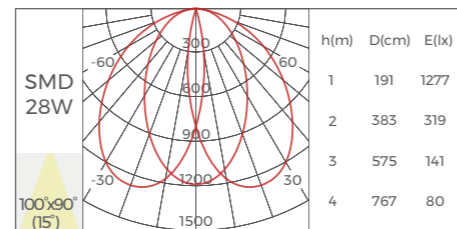
Installation Accessories

180° extender	EX-E1	
---------------	-------	---

Corner accessories

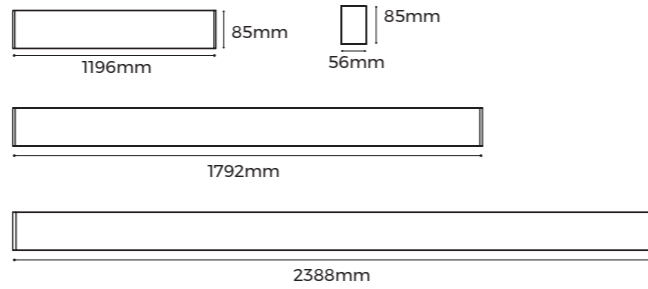
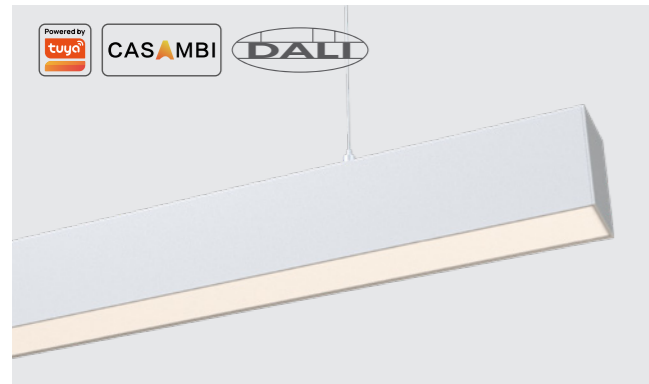
L-shaped corner (60°)	L60-LE40 200X173.2X40mm	
L-shaped corner (90°)	L90-LE40 200X200X40mm	
L-shaped corner (120°)	L120-LE40 200X200.7X40mm	
Y-shaped corner	Y120-LE40 373.9X323.8X40mm	
X-shaped corner	X90-LE40 400X400X40mm	

* None of the five corners contains Light sources.



LINE60FD

Diffuser



Basic Parameters

Installation	Pendant, Ceiling
Lighting direction	Downward
Material	AL6063-T5, spraying surface
Coating	Black, White
Dimming method	Non/ DALI-2+PUSH/1-10V/ Tuya/ Casambi optional
Input voltage	AC220-240V
Application	Indoor
IP grade	IP20
Warranty	5 years (Emergency: 3 years)
Emergency lighting	3H optional
Certification	CE, CB, UKCA, SAA, Rohs, Reach

Luminaire Parameters

Light source	Brigelux 2835/ Qizhi 2835		
SDCM	≤3 Step(ANSI)		
CRI	80\90		
CCT	2700\3000\3500\4000\5000\6500\3000-6500K		
Length (mm)	1196	1792	2388
Power (w)	34	51	68
Luminous flux (lm) (Regular model)	3808	5712	7616
Luminous flux (lm) (High-efficiency model)	4862	7150	9724
Light efficiency	112LM/ W, 145M/ W		
Beam angle	110°		

* The above parameters are based on Ra80, 4000K Light source.

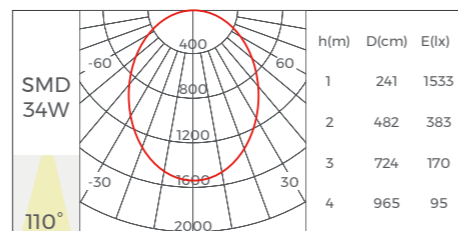
Installation Accessories

Pendant Cable (with junction box)	PY-D	
Pendant Cable	PN-D	
Pendant clip	CP-16 37X20X7mm	
Ceiling accessory	CL-06 90.5X54X5.9mm	
Pendant Rod	PG-I	
Whole luminaire splicing bars	EX-41 110X11.5X11.7mm	

Corner accessories

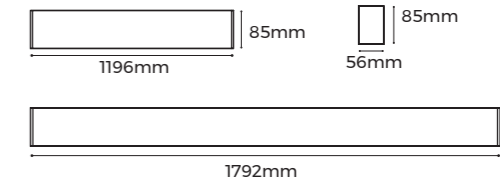
L-shaped	L90-LS60 200X200X85mm	
L-shaped (Inward)	L90N-LS60 200X200X56mm	
L-shaped (Outward)	L90W-LS60 200X200X56mm	
T-shaped	T90-LS60 305X188X85mm	
X-shaped	X90-LS60 350X350X85mm	

* None of the five corners contains Light sources.



LINE60FP

Prismatic



Basic Parameters

Installation	Pendant, Ceiling
Lighting direction	Downward
Material	AL6063-T5, spraying surface
Coating	Black, White
Dimming method	Non/ DALI-2+PUSH/1-10V/ Tuya/ Casambi optional
Input voltage	AC220-240V
Application	Indoor
IP grade	IP20
Warranty	5 years (Emergency: 3 years)
Emergency lighting	3H optional
Certification	CE, CB, UKCA, SAA, Rohs, Reach

Luminaire Parameters

Light source	Brigelux 2835	
SDCM	≤3 Step(ANSI)	
UGR	<19 (X=4H, Y=8H)	
CRI	80\90	
CCT	2700\3000\3500\4000\5000\6500\3000-6500K	
Length (mm)	1196	1792
Power (w)	28	40
Luminous flux (lm)	2440	3480
Light efficiency	85LM/ W	
Beam angle	70°	

* The above parameters are based on Ra80, 4000K Light source.

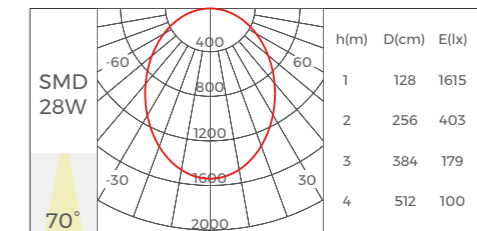
Installation Accessories

Pendant Cable (with junction box)	PY-D	
Pendant Cable	PN-D	
Pendant clip	CP-16 37X20X7mm	
Ceiling accessory	CL-06 90.5X54X5.9mm	
Pendant Rod	PG-I	
Whole luminaire splicing bars	EX-41 110X11.5X11.7mm	

Corner accessories

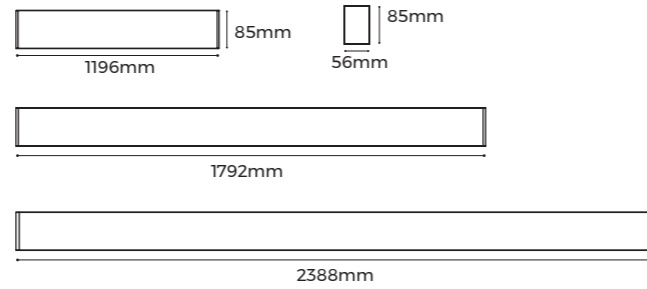
L-shaped	L90-LS60 200X200X85mm	
L-shaped (Inward)	L90N-LS60 200X200X56mm	
L-shaped (Outward)	L90W-LS60 200X200X56mm	
T-shaped	T90-LS60 305X188X85mm	
X-shaped	X90-LS60 350X350X85mm	

* None of the five corners contains Light sources.



LINE60HP

Honeycomb



Basic Parameters

Installation	Pendant, Ceiling
Lighting direction	Downward
Material	AL6063-T5, spraying surface
Coating	Black, White
Dimming method	Non/ DALI-2+PUSH/1-10V/ Tuya/ Casambi optional
Input voltage	AC220-240V
Application	Indoor
IP grade	IP20
Warranty	5 years (Emergency: 3 years)
Emergency lighting	3H optional
Certification	CE, CB, UKCA, SAA, Rohs, Reach

Luminaire Parameters

Light source	Brigelux 2835		
SDCM	≤3 Step(ANSI)		
UGR	<19 (X=4H, Y=8H)		
CRI	80\90		
CCT	2700\3000\3500\4000\5000\6500\3000-6500K		
Length (mm)	1196	1792	2388
Power (w)	34	51	68
Luminous flux (lm)	1980	2960	3950
Light efficiency	60LM/ W		
Beam angle	60°		

* The above parameters are based on Ra80, 4000K Light source.

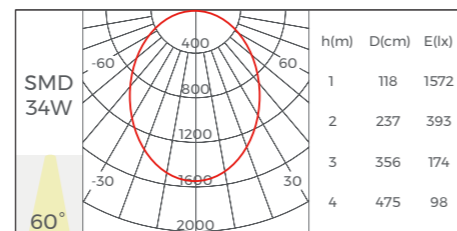
Installation Accessories

Pendant Cable (with junction box)	PY-D	
Pendant Cable	PN-D	
Pendant clip	CP-16 37X20X7mm	
Ceiling accessory	CL-06 90.5X54X5.9mm	
Pendant Rod	PG-I	
Whole luminaire splicing bars	EX-41 110X11.5X11.7mm	

Corner accessories

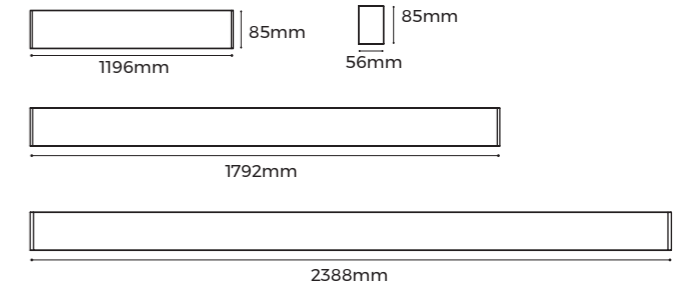
L-shaped	L90-LS60 200X200X85mm	
L-shaped (Inward)	L90N-LS60 200X200X56mm	
L-shaped (Outward)	L90W-LS60 200X200X56mm	
T-shaped	T90-LS60 305X188X85mm	
X-shaped	X90-LS60 350X350X85mm	

* None of the five corners contains Light sources.



LINE60BD

Louver



Basic Parameters

Installation	Pendant, Ceiling
Lighting direction	Downward
Material	AL6063-T5, spraying surface
Coating	Black, White
Dimming method	Non/ DALI-2+PUSH/1-10V/ Tuya/ Casambi optional
Input voltage	AC220-240V
Application	Indoor
IP grade	IP20
Warranty	5 years (Emergency: 3 years)
Emergency lighting	3H optional
Certification	CE, CB, UKCA, SAA, Rohs, Reach

Luminaire Parameters

Light source	Brigelux 2835		
SDCM	≤3 Step(ANSI)		
UGR	<19 (X=4H, Y=8H)		
CRI	80\90		
CCT	2700\3000\3500\4000\5000\6500\3000-6500K		
Length (mm)	1196	1792	2388
Power (w)	34	51	68
Luminous flux (lm)	2210	3320	4420
Light efficiency	65LM/ W		
Beam angle	(80° x60°)		

* The above parameters are based on Ra80, 4000K Light source.

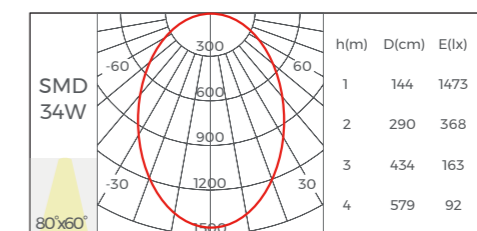
Installation Accessories

Pendant Cable (with junction box)	PY-D	
Pendant Cable	PN-D	
Pendant clip	CP-16 37X20X7mm	
Ceiling accessory	CL-06 90.5X54X5.9mm	
Pendant Rod	PG-I	
Whole luminaire splicing bars	EX-41 110X11.5X11.7mm	

Corner accessories

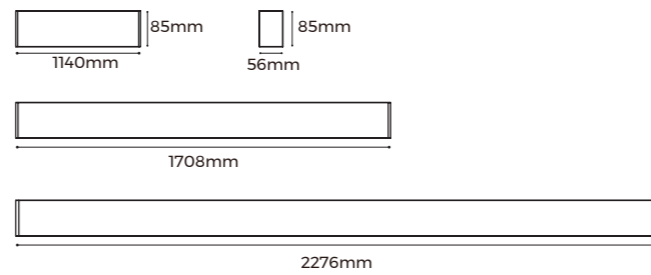
L-shaped	L90-LS60 200X200X85mm	
L-shaped (Inward)	L90N-LS60 200X200X56mm	
L-shaped (Outward)	L90W-LS60 200X200X56mm	
T-shaped	T90-LS60 305X188X85mm	
X-shaped	X90-LS60 350X350X85mm	

* None of the five corners contains Light sources.



LINE60G

Grating



Basic Parameters

Installation	Pendant, Ceiling
Lighting direction	Downward
Material	AL6063-T5, spraying surface
Coating	Black, White
Dimming method	Non/ DALI-2+PUSH/1-10V/ Tuya/ Casambi optional
Input voltage	AC220-240V
Application	Indoor
IP grade	IP20
Warranty	5 years (Emergency: 3 years)
Emergency lighting	3H optional
Certification	CE, CB, UKCA, SAA, Rohs, Reach

Luminaire Parameters

Light source	OSRAM 3030		
SDCM	≤3 Step(ANSI)		
UGR	<10		
CRI	80\90		
CCT	2700\3000\3500\4000\5000\6500\3000-6500K		
Length (mm)	1140	1708	2276
Power (w)	25	37	50
Luminous flux (lm)	2300	3400	4600
Light efficiency	85LM/ W		
Beam angle	24° / 38°		

* The above parameters are based on Ra80, 4000K, 24° Light source.

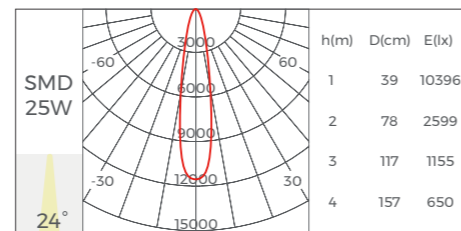
Installation Accessories

Pendant Cable (with junction box)	PY-D	
Pendant Cable	PN-D	
Pendant clip	CP-16 37X20X7mm	
Ceiling accessory	CL-06 90.5X54X5.9mm	
Pendant Rod	PG-I	
Whole luminaire splicing bars	EX-41 110X11.5X11.7mm	

Corner accessories

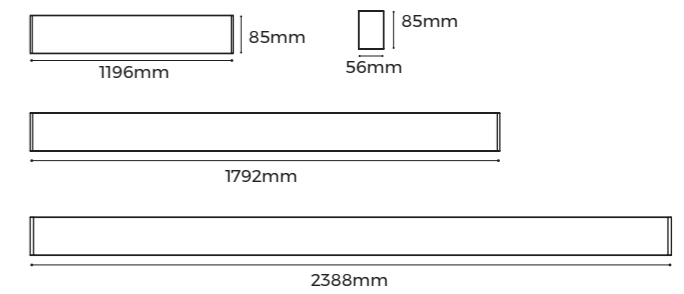
L-shaped	L90-LS60 200X200X85mm	
L-shaped (Inward)	L90N-LS60 200X200X56mm	
L-shaped (Outward)	L90W-LS60 200X200X56mm	
T-shaped	T90-LS60 305X188X85mm	
X-shaped	X90-LS60 350X350X85mm	

* None of the five corners contains Light sources.



LINE60LA

Asymmetric



Basic Parameters

Installation	Pendant, Ceiling
Lighting direction	Downward
Material	AL6063-T5, spraying surface
Coating	Black, White
Dimming method	Non/ DALI-2+PUSH/1-10V/ Tuya/ Casambi optional
Input voltage	AC220-240V
Application	Indoor
IP grade	IP20
Warranty	5 years (Emergency: 3 years)
Emergency lighting	3H optional
Certification	CE, CB, UKCA, SAA, Rohs, Reach

Luminaire Parameters

Light source	OSRAM 3030		
SDCM	≤3 Step(ANSI)		
CRI	80\90		
CCT	2700\3000\3500\4000\5000\6500\3000-6500K		
Length (mm)	1196	1792	2388
Power (w)	28	40	56
Luminous flux (lm)	3250	4640	6500
Light efficiency	116LM/ W		
Beam angle	(100° x45° x20°)		

* The above parameters are based on Ra80, 4000K Light source.

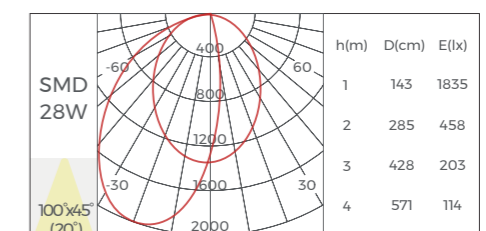
Installation Accessories

Pendant Cable (with junction box)	PY-D	
Pendant Cable	PN-D	
Pendant clip	CP-16 37X20X7mm	
Ceiling accessory	CL-06 90.5X54X5.9mm	
Pendant Rod	PG-I	
Whole luminaire splicing bars	EX-41 110X11.5X11.7mm	

Corner accessories

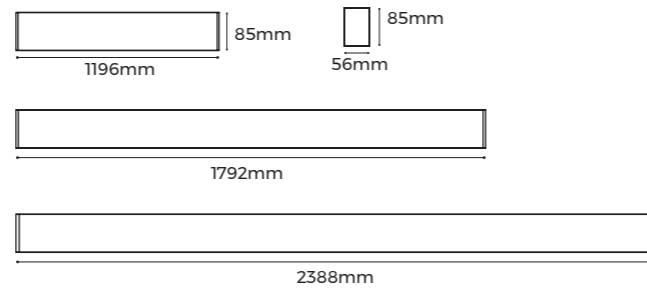
L-shaped	L90-LS60 200X200X85mm	
L-shaped (Inward)	L90N-LS60 200X200X56mm	
L-shaped (Outward)	L90W-LS60 200X200X56mm	
T-shaped	T90-LS60 305X188X85mm	
X-shaped	X90-LS60 350X350X85mm	

* None of the five corners contains Light sources.



LINE60LS

Double asymmetric



Basic Parameters

Installation	Pendant, Ceiling
Lighting direction	Downward
Material	AL6063-T5, spraying surface
Coating	Black, White
Dimming method	Non/ DALI-2+PUSH/1-10V/ Tuya/ Casambi optional
Input voltage	AC220-240V
Application	Indoor
IP grade	IP20
Warranty	5 years (Emergency: 3 years)
Emergency lighting	3H optional
Certification	CE, CB, UKCA, SAA, Rohs, Reach

Luminaire Parameters

Light source	OSRAM 3030		
SDCM	≤3 Step(ANSI)		
CRI	80\90		
CCT	2700\3000\3500\4000\5000\6500\3000-6500K		
Length (mm)	1196	1792	2388
Power (w)	28	40	56
Luminous flux (lm)	3250	4640	6500
Light efficiency	116LM/ W		
Beam angle	(100° x90° x20°)		

* The above parameters are based on Ra80, 4000K Light source.

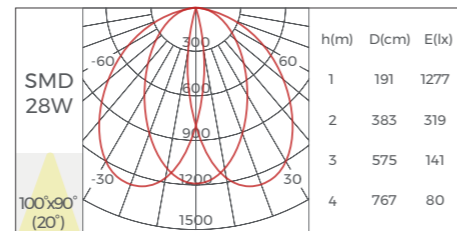
Installation Accessories

Pendant Cable (with junction box)	PY-D	
Pendant Cable	PN-D	
Pendant clip	CP-16 37X20X7mm	
Ceiling accessory	CL-06 90.5X54X5.9mm	
Pendant Rod	PG-I	
Whole luminaire splicing bars	EX-41 110X11.5X11.7mm	

Corner accessories

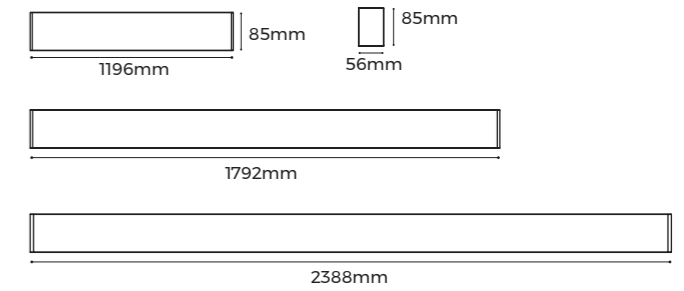
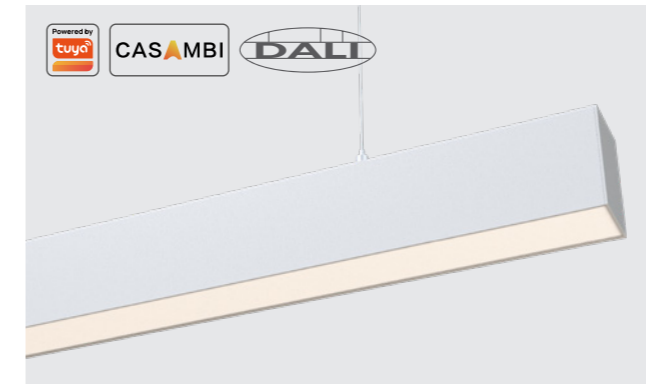
L-shaped	L90-LS60 200X200X85mm	
L-shaped (Inward)	L90N-LS60 200X200X56mm	
L-shaped (Outward)	L90W-LS60 200X200X56mm	
T-shaped	T90-LS60 305X188X85mm	
X-shaped	X90-LS60 350X350X85mm	

* None of the five corners contains Light sources.



LINE60FD

Diffuser



Basic Parameters

Installation	Pendant
Lighting direction	Upward&Downward
Material	AL6063-T5, spraying surface
Coating	Black, White
Dimming method	Non/ DALI-2+PUSH/1-10V/ Tuya/ Casambi optional
Input voltage	AC220-240V
Application	Indoor
IP grade	IP20
Warranty	5 years (Emergency: 3 years)
Emergency lighting	3H optional
Certification	CE, CB, UKCA, SAA, Rohs, Reach

Luminaire Parameters

Light source	Brigelux 2835 / Qizhi 2835		
SDCM	≤3 Step(ANSI)		
CRI	80\90		
CCT	2700\3000\3500\4000\5000\6500\3000-6500K		
Length (mm)	1196	1792	2388
Power (w)	51	78	102
Luminous flux (lm) (Regular model)	Up: 1912 Down: 3808	Up: 3028 Down: 5712	Up: 3814 Down: 7616
Luminous flux (lm) (High-efficiency model)	Up: 2538 Down: 4862	Up: 4160 Down: 7150	Up: 5076 Down: 9724
Light efficiency	112LM/ W, 145M/ W		
Beam angle	110°		

* The above parameters are based on Ra80, 4000K Light source.

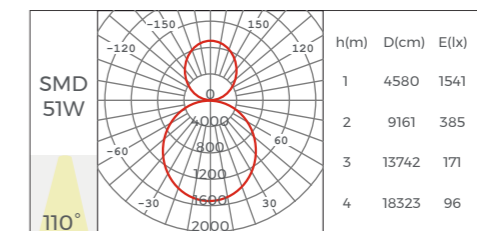
Installation Accessories

Pendant Cable (with junction box)	PY-D	
Pendant Cable	PN-D	
Pendant clip	CP-16 37X20X7mm	
Pendant Rod	PG-I	
Whole luminaire splicing bars	EX-41 110X11.5X11.7mm	

Corner accessories

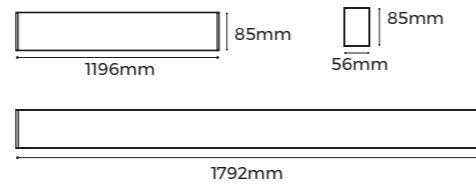
L-shaped	L90-LS60 200X200X85mm	
L-shaped (Inward)	L90N-LS60 200X200X56mm	
L-shaped (Outward)	L90W-LS60 200X200X56mm	
T-shaped	T90-LS60 305X188X85mm	
X-shaped	X90-LS60 350X350X85mm	

* None of the five corners contains Light sources.



LINE60FP

Prismatic



Basic Parameters

Installation	Pendant
Lighting direction	Upward&Downward
Material	AL6063-T5, spraying surface
Coating	Black, White
Dimming method	Non/DALI-2+PUSH/1-10V/Tuya/Casambi optional
Input voltage	AC220-240V
Application	Indoor
IP grade	IP20
Warranty	5 years (Emergency: 3 years)
Emergency lighting	3H optional
Certification	CE, CB, UKCA, SAA, Rohs, Reach

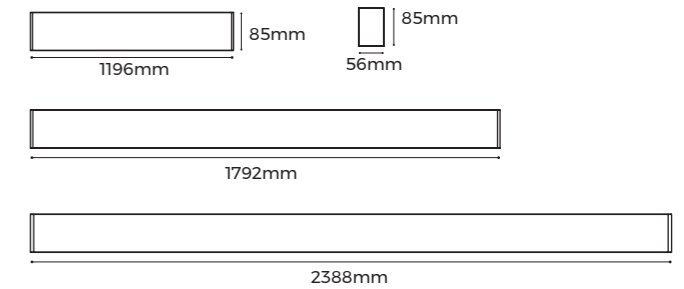
Luminaire Parameters

Light source	Brigelux 2835	
SDCM	≤3 Step(ANSI)	
UGR	<19 (X=4H, Y=8H)	
CRI	80\90	
CCT	2700\3000\3500\4000\5000\6500\3000-6500K	
Length (mm)	1196	1792
Power (w)	40	60
luminous flux (lm) Up	1240	2040
luminous flux (lm) Down	2440	3480
Light efficiency	92LM/ W	
Beam angle	70°	

* The above parameters are based on Ra80, 4000K Light source.

LINE60HP

Honeycomb



Basic Parameters

Installation	Pendant
Lighting direction	Upward&Downward
Material	AL6063-T5, spraying surface
Coating	Black, White
Dimming method	Non/DALI-2+PUSH/1-10V/Tuya/Casambi optional
Input voltage	AC220-240V
Application	Indoor
IP grade	IP20
Warranty	5 years (Emergency: 3 years)
Emergency lighting	3H optional
Certification	CE, CB, UKCA, SAA, Rohs, Reach

Luminaire Parameters

Light source	Brigelux 2835		
SDCM	≤3 Step(ANSI)		
UGR	<19 (X=4H, Y=8H)		
CRI	80\90		
CCT	2700\3000\3500\4000\5000\6500\3000-6500K		
Length (mm)	1196	1792	2388
Power (w)	51	78	102
luminous flux (lm) Up	1850	2890	3700
luminous flux (lm) Down	1980	2960	3950
Light efficiency	75LM/ W		
Beam angle	60°		

* The above parameters are based on Ra80, 4000K Light source.

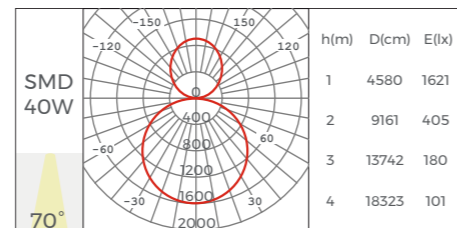
Installation Accessories

Pendant Cable (with junction box)	PY-D	
Pendant Cable	PN-D	
Pendant clip	CP-16 37X20X7mm	
Pendant Rod	PG-I	
Whole luminaire splicing bars	EX-41 110X11.5X11.7mm	

Corner accessories

L-shaped	L90-LS60 200X200X85mm	
L-shaped (Inward)	L90N-LS60 200X200X56mm	
L-shaped (Outward)	L90W-LS60 200X200X56mm	
T-shaped	T90-LS60 305X188X85mm	
X-shaped	X90-LS60 350X350X85mm	

* None of the five corners contains Light sources.



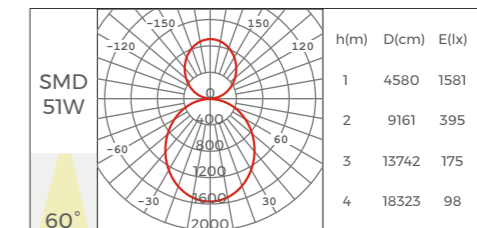
Installation Accessories

Pendant Cable (with junction box)	PY-D	
Pendant Cable	PN-D	
Pendant clip	CP-16 37X20X7mm	
Pendant Rod	PG-I	
Whole luminaire splicing bars	EX-41 110X11.5X11.7mm	

Corner accessories

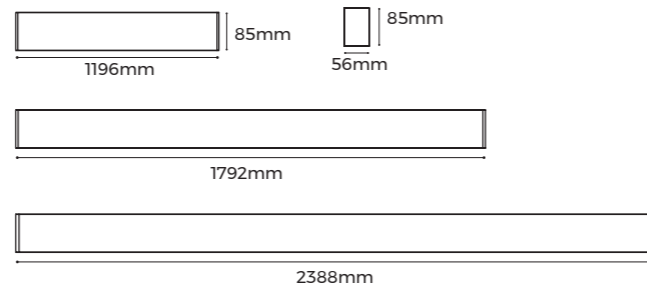
L-shaped	L90-LS60 200X200X85mm	
L-shaped (Inward)	L90N-LS60 200X200X56mm	
L-shaped (Outward)	L90W-LS60 200X200X56mm	
T-shaped	T90-LS60 305X188X85mm	
X-shaped	X90-LS60 350X350X85mm	

* None of the five corners contains Light sources.



LINE60BD

Louver



Basic Parameters

Installation	Pendant
Lighting direction	Upward&Downward
Material	AL6063-T5, spraying surface
Coating	Black, White
Dimming method	Non/DALI-2+PUSH/1-10V/Tuya/Casambi optional
Input voltage	AC220-240V
Application	Indoor
IP grade	IP20
Warranty	5 years (Emergency: 3 years)
Emergency lighting	3H optional
Certification	CE, CB, UKCA, SAA, Rohs, Reach

Luminaire Parameters

Light source	Brigelux 2835		
SDCM	≤3 Step(ANSI)		
UGR	<19 (X=4H, Y=8H)		
CRI	80\90		
CCT	2700\3000\3500\4000\5000\6500\3000-6500K		
Length (mm)	1196	1792	2388
Power (w)	51	78	102
luminous flux (lm) Up	1870	2920	3740
luminous flux (lm) Down	2210	3320	4420
Light efficiency	80LM/W		
Beam angle	(80° x60°)		

* The above parameters are based on Ra80, 4000K Light source.

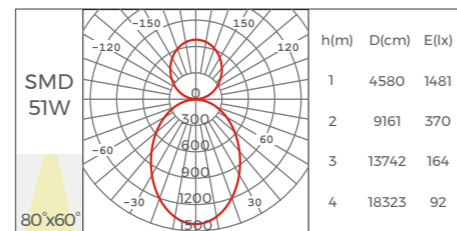
Installation Accessories

Pendant Cable (with junction box)	PY-D	
Pendant Cable	PN-D	
Pendant clip	CP-16 37X20X7mm	
Pendant Rod	PG-I	
Whole luminaire splicing bars	EX-41 110X11.5X11.7mm	

Corner accessories

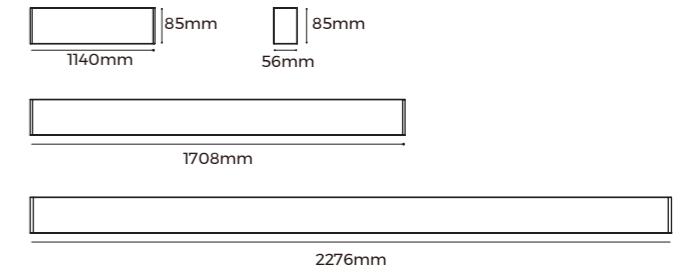
L-shaped	L90-LS60 200X200X85mm	
L-shaped (Inward)	L90N-LS60 200X200X56mm	
L-shaped (Outward)	L90W-LS60 200X200X56mm	
T-shaped	T90-LS60 305X188X85mm	
X-shaped	X90-LS60 350X350X85mm	

* None of the five corners contains Light sources.



LINE60G

Grating



Basic Parameters

Installation	Pendant
Lighting direction	Upward&Downward
Material	AL6063-T5, spraying surface
Coating	Black, White
Dimming method	Non/DALI-2+PUSH/1-10V/Tuya/Casambi optional
Input voltage	AC220-240V
Application	Indoor
IP grade	IP20
Warranty	5 years (Emergency: 3 years)
Emergency lighting	3H optional
Certification	CE, CB, UKCA, SAA, Rohs, Reach

Luminaire Parameters

Light source	Up: Brigelux 2835 / Down: OSRAM 3030		
SDCM	≤3 Step(ANSI)		
UGR	<10		
CRI	80\90		
CCT	2700\3000\3500\4000\5000\6500\3000-6500K		
Length (mm)	1140	1708	2276
Power (w)	37	56	74
luminous flux (lm) Up	1100	1760	2210
luminous flux (lm) Down	2300	3400	4600
Light efficiency	90LM/W		
Beam angle	24°\38°		

* The above parameters are based on Ra80, 4000K, 24° Light source.

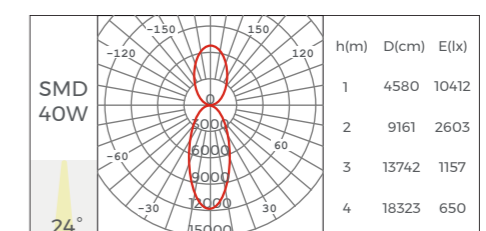
Installation Accessories

Pendant Cable (with junction box)	PY-D	
Pendant Cable	PN-D	
Pendant clip	CP-16 37X20X7mm	
Pendant Rod	PG-I	
Whole luminaire splicing bars	EX-41 110X11.5X11.7mm	

Corner accessories

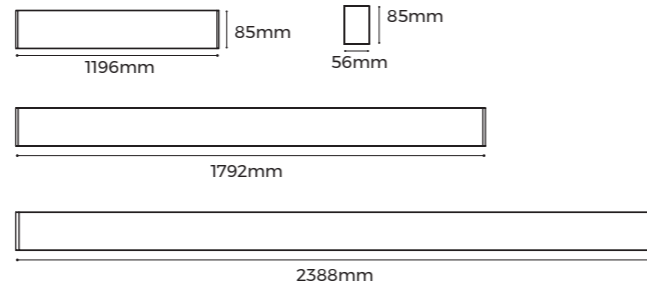
L-shaped	L90-LS60 200X200X85mm	
L-shaped (Inward)	L90N-LS60 200X200X56mm	
L-shaped (Outward)	L90W-LS60 200X200X56mm	
T-shaped	T90-LS60 305X188X85mm	
X-shaped	X90-LS60 350X350X85mm	

* None of the five corners contains Light sources.



LINE60LA

Asymmetric



Basic Parameters

Installation	Pendant
Lighting direction	Upward&Downward
Material	AL6063-T5, spraying surface
Coating	Black, White
Dimming method	Non/ DALI-2+PUSH/1-10V/ Tuya/ Casambi optional
Input voltage	AC220-240V
Application	Indoor
IP grade	IP20
Warranty	5 years (Emergency: 3 years)
Emergency lighting	3H optional
Certification	CE, CB, UKCA, SAA, Rohs, Reach

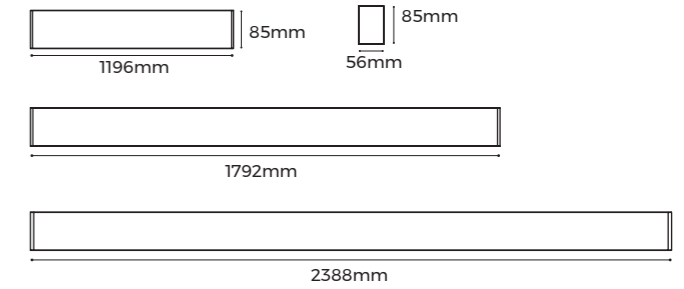
Luminaire Parameters

Light source	Brigelux 2835		
SDCM	≤3 Step(ANSI)		
CRI	80\90		
CCT	2700\3000\3500\4000\5000\6500\3000-6500K		
Length (mm)	1196	1792	2388
Power (w)	40	60	80
luminous flux (lm) Up	1390	2320	2780
luminous flux (lm) Down	3250	4640	6500
Light efficiency	116LM/ W		
Beam angle	(100° x45° x20°)		

* The above parameters are based on Ra80, 4000K Light source.

LINE60LS

Double asymmetric



Basic Parameters

Installation	Pendant
Lighting direction	Upward&Downward
Material	AL6063-T5, spraying surface
Coating	Black, White
Dimming method	Non/ DALI-2+PUSH/1-10V/ Tuya/ Casambi optional
Input voltage	AC220-240V
Application	Indoor
IP grade	IP20
Warranty	5 years (Emergency: 3 years)
Emergency lighting	3H optional
Certification	CE, CB, UKCA, SAA, Rohs, Reach

Luminaire Parameters

Light source	Brigelux 2835		
SDCM	≤3 Step(ANSI)		
CRI	80\90		
CCT	2700\3000\3500\4000\5000\6500\3000-6500K		
Length (mm)	1196	1792	2388
Power (w)	40	60	80
luminous flux (lm) Up	1390	2320	2780
luminous flux (lm) Down	3250	4640	6500
Light efficiency	116LM/ W		
Beam angle	(100° x90° x20°)		

* The above parameters are based on Ra80, 4000K Light source.

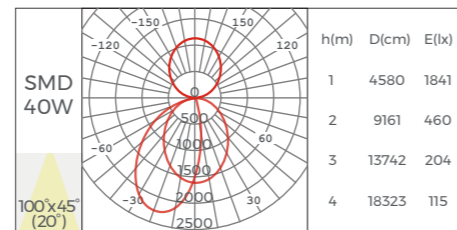
Installation Accessories

Pendant Cable (with junction box)	PY-D	
Pendant Cable	PN-D	
Pendant clip	CP-16 37X20X7mm	
Pendant Rod	PG-I	
Whole luminaire splicing bars	EX-41 110X11.5X11.7mm	

Corner accessories

L-shaped	L90-LS60 200X200X85mm	
L-shaped (Inward)	L90N-LS60 200X200X56mm	
L-shaped (Outward)	L90W-LS60 200X200X56mm	
T-shaped	T90-LS60 305X188X85mm	
X-shaped	X90-LS60 350X350X85mm	

* None of the five corners contains Light sources.



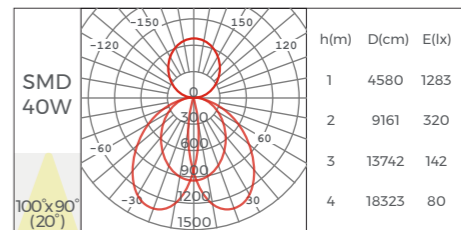
Installation Accessories

Pendant Cable (with junction box)	PY-D	
Pendant Cable	PN-D	
Pendant clip	CP-16 37X20X7mm	
Pendant Rod	PG-I	
Whole luminaire splicing bars	EX-41 110X11.5X11.7mm	

Corner accessories

L-shaped	L90-LS60 200X200X85mm	
L-shaped (Inward)	L90N-LS60 200X200X56mm	
L-shaped (Outward)	L90W-LS60 200X200X56mm	
T-shaped	T90-LS60 305X188X85mm	
X-shaped	X90-LS60 350X350X85mm	

* None of the five corners contains Light sources.





www.lightoria.net